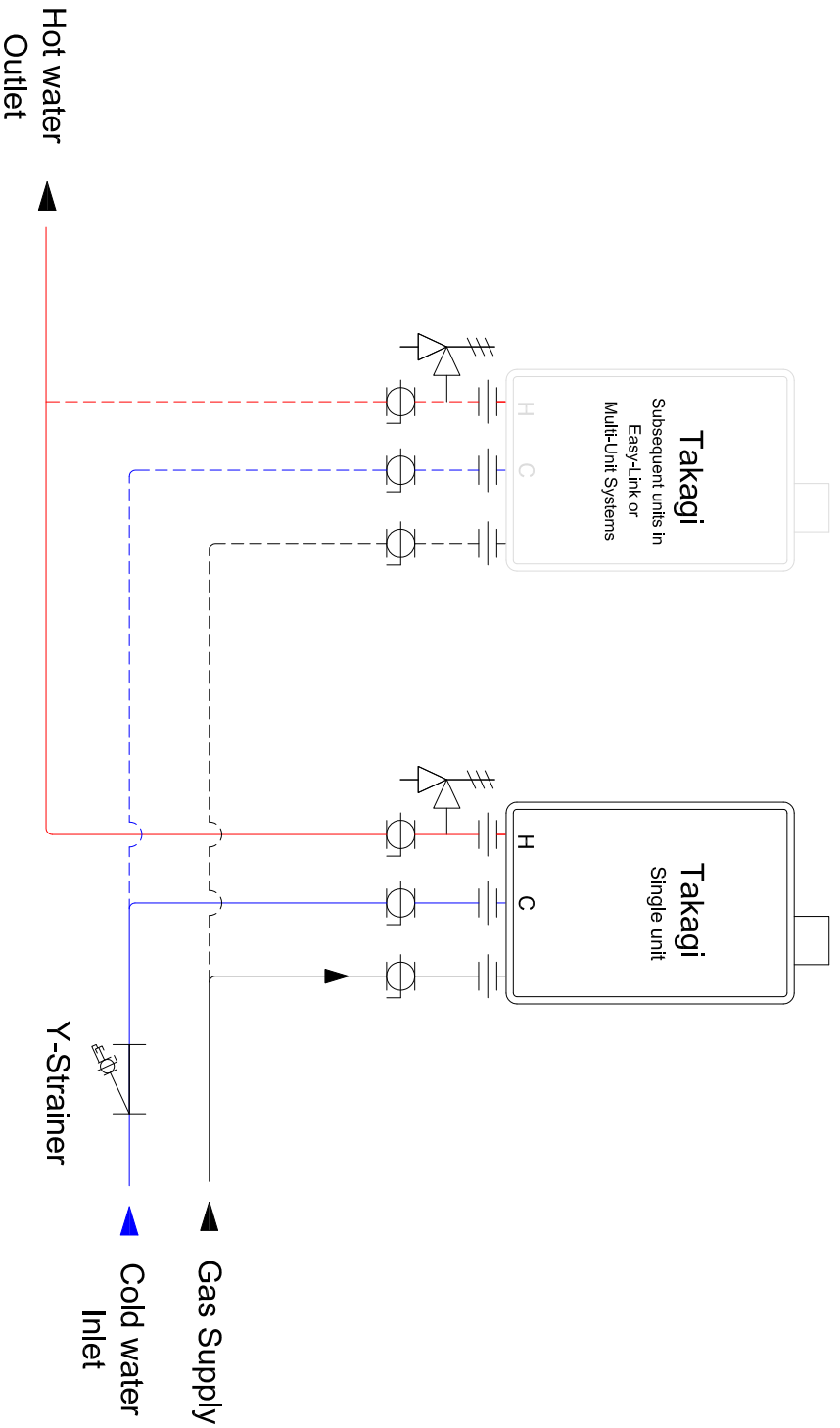


This drawing is a concept diagram and is intended to be used ONLY as a basic guide. Applications must be designed by a professional application engineer or designer. Local and State Codes also dictate correct installation. There are many factors that change from application to application and every individual application will differ in some way. Each application component must be sized correctly by a professional.



TAKAGI
Tankless Water Heaters
5 Whatney
Irvine, CA 92618
Phone: (888) 882-5244
Fax: (949) 770-3171
www.takagi.com

Title: **Basic Application**
Date: **08/26/2009**
Drawing No. **001-001-BA-3**

Legend			
Pump	Shut Off/ Isolation Valve	Union	Air Separator
Expansion Tank	Check Valve	Pressure Relief Valve	Air Vent