

RECESS BOX: 100266729 & 100266730

INTRODUCTION

These recess boxes are available for the following tankless water heaters:

- 110 Outdoor (T-KJr2-OS)
- 110(U) Outdoor (T-KJr2U-OS / T-KJr3U-OS)
- 310 Outdoor (T-K4-OS)
- 310(U) Outdoor (T-K4U-OS / T-K5U-OS)
- 510 Outdoor (T-D2-OS)
- 510(U) Outdoor (T-D2U-OS / T-D3U-OS)
- 140 Outdoor (T-H3M-OS)

WARNING! Read and understand these instructions, as well as the water heater's installation manual and safety messages prior to installation. Failure to follow instructions and safety messages could result in death or serious injury. Instruction manual must remain with water heater.

ACCESSORIES

Please ensure that your recess box includes the items shown in Table 1.





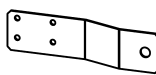




Item #	Qty.	Description	Illustration
1.	1	Box Case	
2.	1	Cover	
3.	2	Bottom Support Bracket	
4.	9	Self-Taping Screw	
5.	1	Lock Bracket	
6.	3	Heater Mounting Screw	
7.	2	Door Screw	
8.	1	Tab	
9.	1	Installation Instructions	

Table 1.

CLEARANCES

Follow all local codes, or in the absence of local codes, the current edition of “**National Fuel Gas Code**” **ANSI Z223.1/ NFPA 54** and vent termination clearances in the heater's installation manual.

Locate the water heater in an open, unroofed area and maintain the clearances shown in Table 2 and Figure 1.

In addition to these clearances, follow all installation and clearance instructions in the water heater's installation manual.

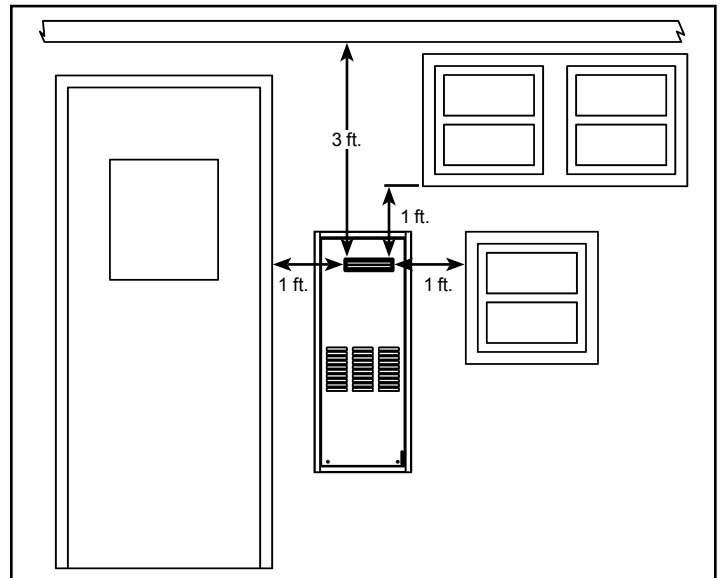


Figure 1.

If this water heater is installed under an overhang, maintain a minimum distance of 3 ft. to the top of the exhaust. The area under the overhang must be open on 3 sides (see Figure 1).

Minimum Clearances to Combustible or Non-combustible Construction	
Top of heater	0 Inch
Back of heater	0 inch
Front of heater	24 inches
Side of heater	0 Inch
Bottom of heater	0 Inch
FOR OUTDOOR INSTALLATION ONLY	

Table 2.

If you have any questions, call the Customer Service department listed on water heater's installation manual.

100266729 (INSTALLATION OF RECESS BOX FOR RETROFIT)

1. Remove and retain the screws (Item #7) securing the front cover (Item #2) to the recess box (Item #1) (see Figure 2).
2. Remove the front cover and set aside for reuse later to complete the installation.
3. Use a step bit or metal hole saw to drill holes for the water lines, gas line, pressure relief valve discharge line, and electrical supply. Holes for the water and gas lines must be able to fit 3/4" lines (see Figure 6). Recess boxes for mounting Model 140 heaters will also require a hole for the condensate drain line. Hole locations shown in Figure 6 are suggested locations only. Actual hole locations must be suitable for each individual installation.
4. Prepare an opening in the wall with the following minimum dimensions (see Figure 2):
 Height 38.1"
 Width 14.25"
 Depth 9.88"
5. This recess box is designed for retrofit applications. Secure the recess box to framing capable of supporting the weight of the recess box and installed water heater using appropriate mounting screws (not supplied).
6. Use silicone to seal any openings between the recess box and wall face to prevent water from entering the wall cavity. The bottom of the box is sloped downward from back to front to allow any accumulated moisture to drain out the front.
7. Go to page 3 for instructions on installing the water heater.

100266730 (INSTALLATION OF RECESS BOX FOR NEW CONSTRUCTION)

1. Remove and retain the screws (Item #7) securing the front cover (Item #2) to the recess box (Item #1) (see Figure 3).
2. Remove the front cover and set aside for reuse later to complete the installation.
3. Use a step bit or metal hole saw to drill holes for the water lines, gas line, pressure relief valve discharge line, and electrical supply. Holes for the water and gas lines must be able to fit 3/4" lines (see Figure 6). Recess boxes for mounting Model 140 heaters will also require a hole for the condensate drain line. Hole locations shown in Figure 6 are suggested locations only. Actual hole locations must be suitable for each individual installation.
4. This recess box is designed for new construction installations. Secure the recess box to framing capable of supporting the weight of the recess box and installed water heater using appropriate mounting screws (not supplied) and the pre-drilled holes in the side plates (see Figure 3).
5. Use silicone to seal any openings between the recess box and wall face to prevent water from entering the wall cavity. The bottom of the box is sloped downward from back to front to allow any accumulated moisture to drain out the front.
6. Go to page 3 for instructions on installing the water heater.

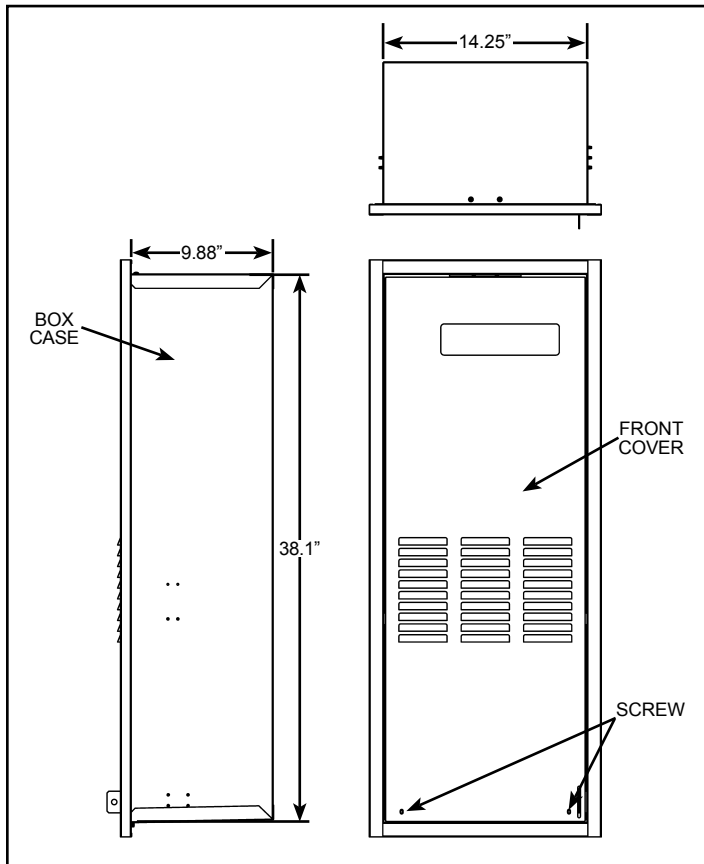


Figure 2.

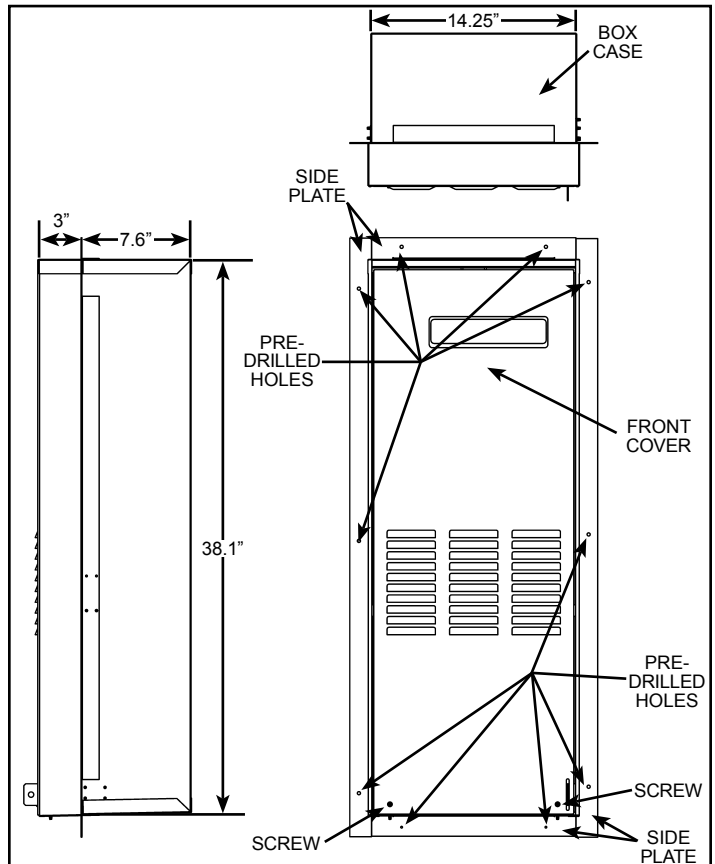


Figure 3.

WATER HEATER INSTALLATION IN RECESS BOX

1. Install the bottom support brackets (Item #3) using two screws (Item #4) into the appropriate set of holes for the heater that is being installed (see Figure 6).
 - a. for Models 110(U), 310(U), and 510(U) use the upper set of holes
 - b. for Models 140 use the lower set of holes
2. Remove and set aside the front cover of the water heater.
3. Install the water heater into the recess box:
 - a. For 140 model: Use screws (Item #6) to secure the heater to the top mount bracket and the bottom support brackets (see Figure 7 and Figure 9).
 - b. For 110(U), 310(U), 510(U): Use screw (Item #4) to secure mounting tab (Item #8) to the top mounting bracket. Use screws (Item #6) to secure the heater to the mounting tab as shown in Figure 8. Use screws (Item #6) to secure the heater to the bottom support brackets (see Figure 8 and Figure 10)
4. Connect the water lines, gas line, pressure relief valve discharge line, electrical supply line, and condensate drain line (for Model 140), per the heater's installation manual.
5. Test the water heater for proper operation and test for any gas and water leaks.
6. Use four screws (Item #4) to attach the lock bracket (Item #5) to the holes in the lower right side of the recess box.
7. Use silicone to seal any openings between the recess box and wall face to prevent water from entering the wall cavity (see Figure 4 or Figure 5).
8. Reinstall the front cover of the water heater.
9. Re-attach the front cover (Item #2) using the door screws (Item #7) removed earlier.

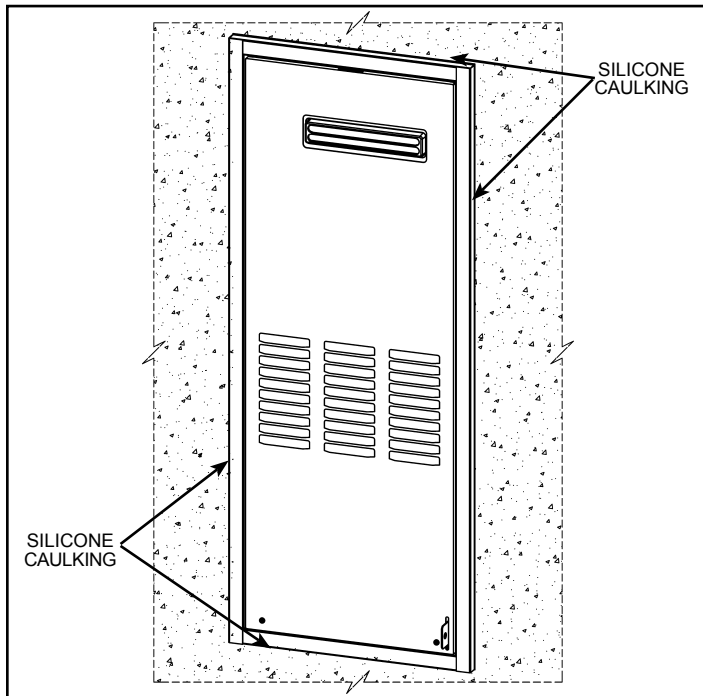


Figure 4.

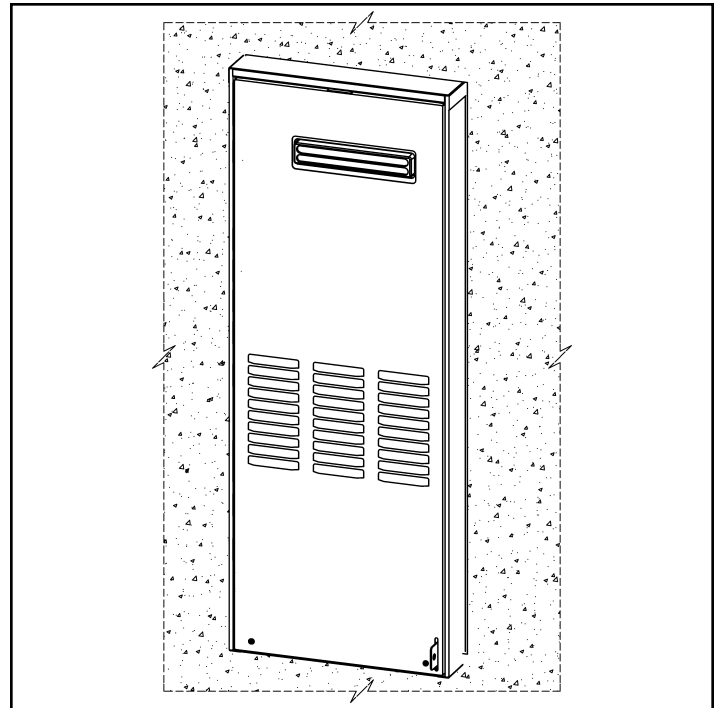


Figure 5.

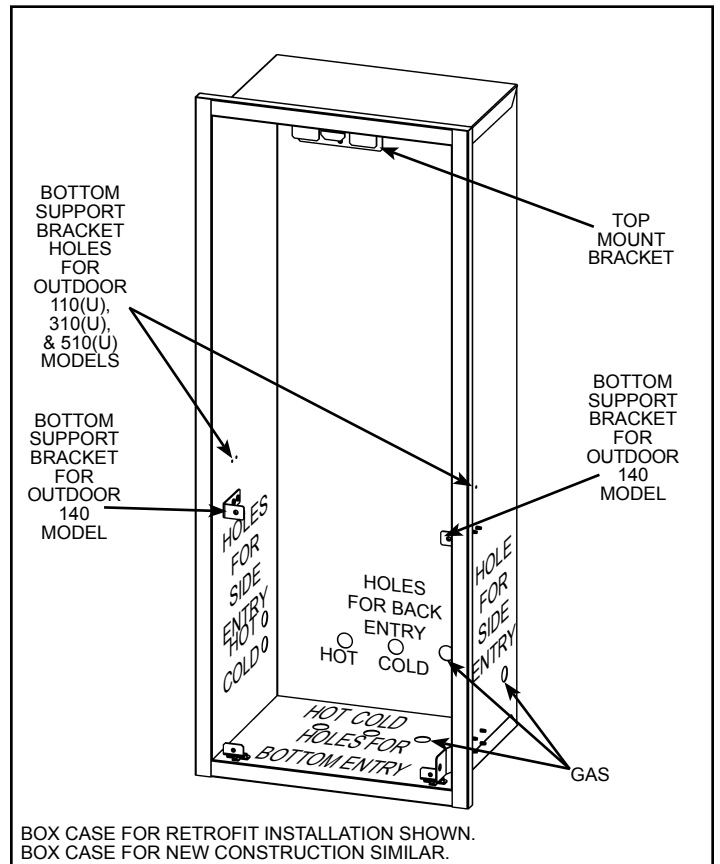


Figure 6.

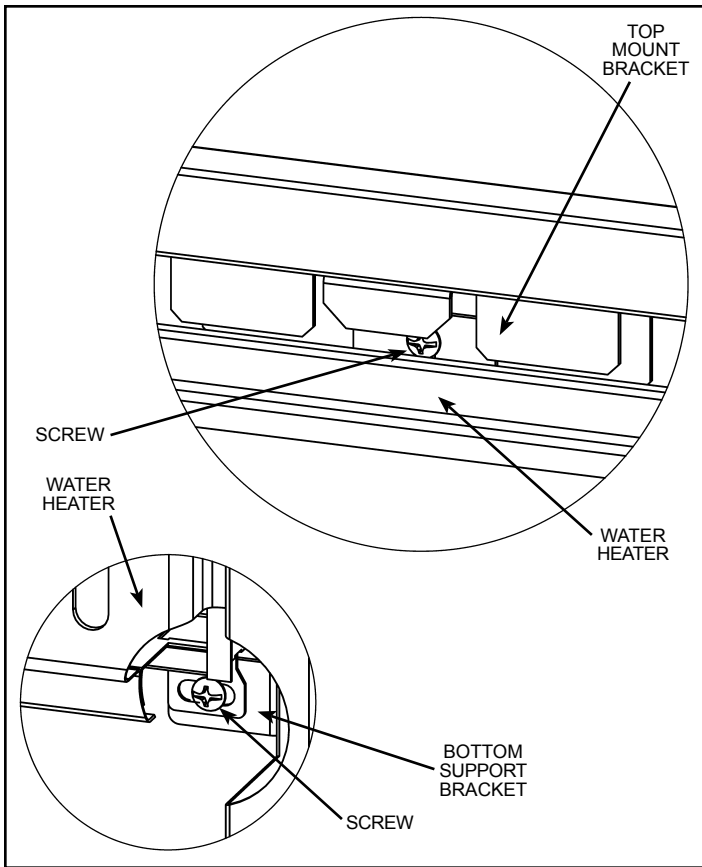


Figure 7.

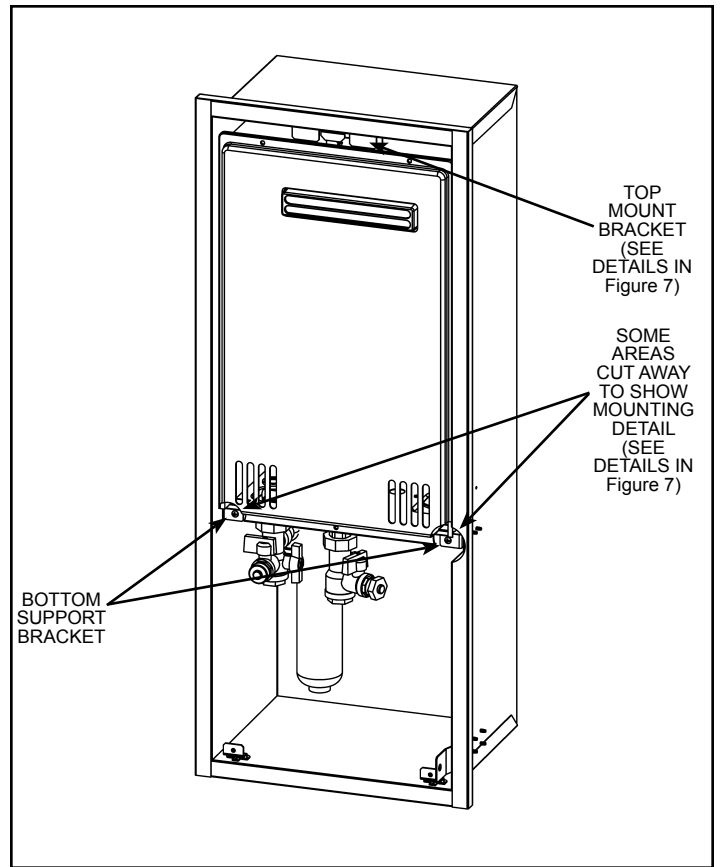


Figure 9.

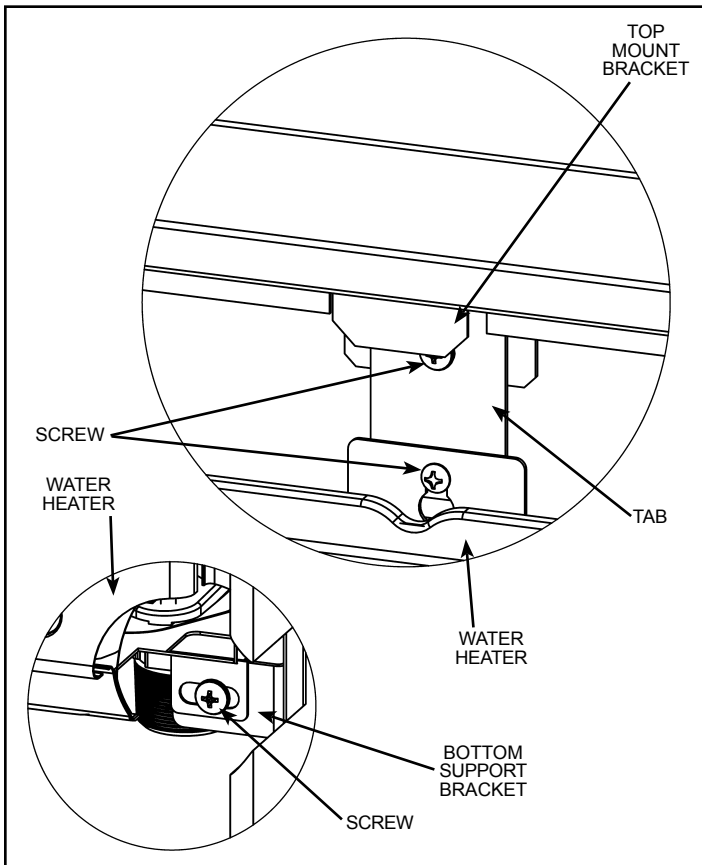


Figure 8.

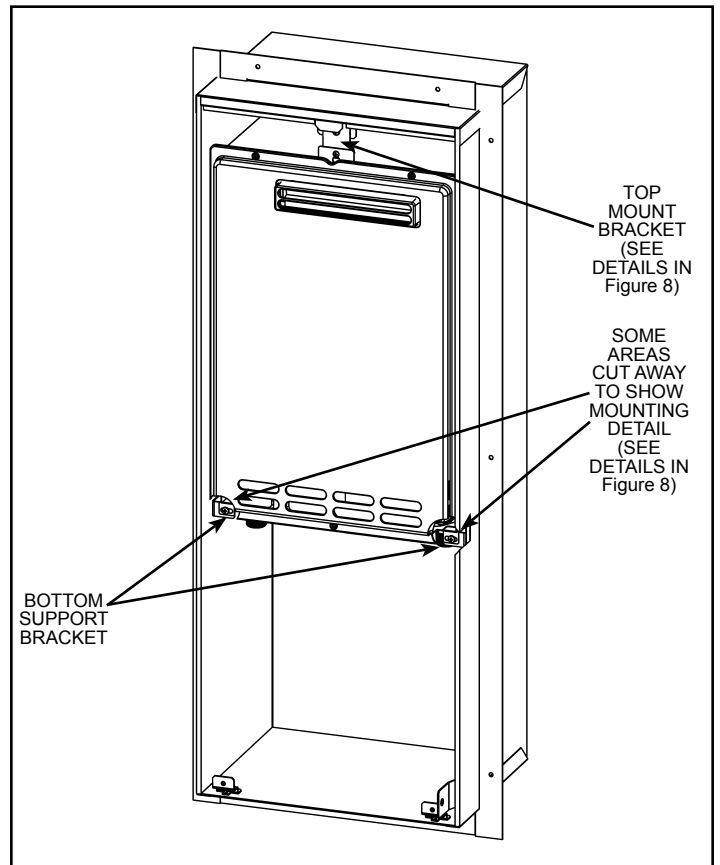


Figure 10.

If you have any questions, please call or write to the manufacturer listed on the rating plate of your water heater.