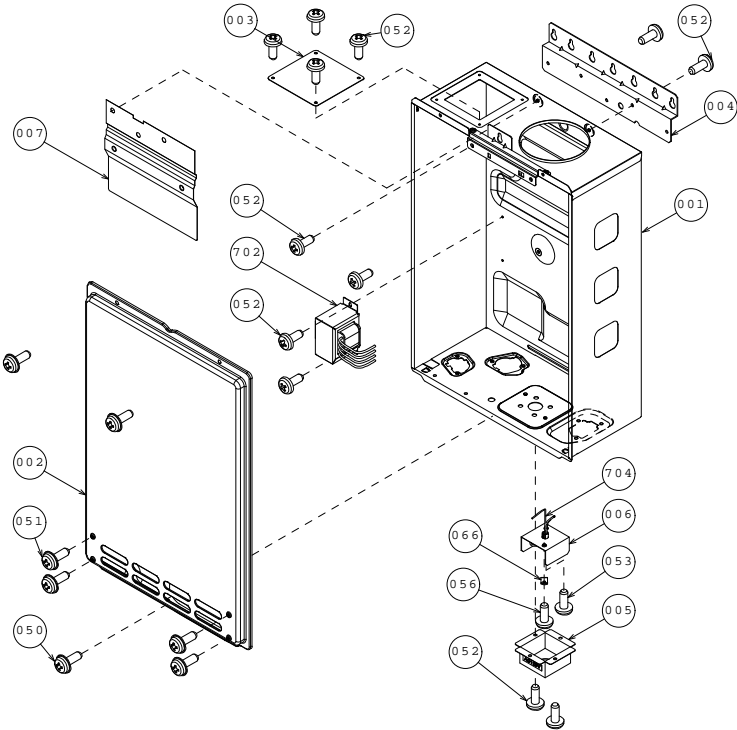


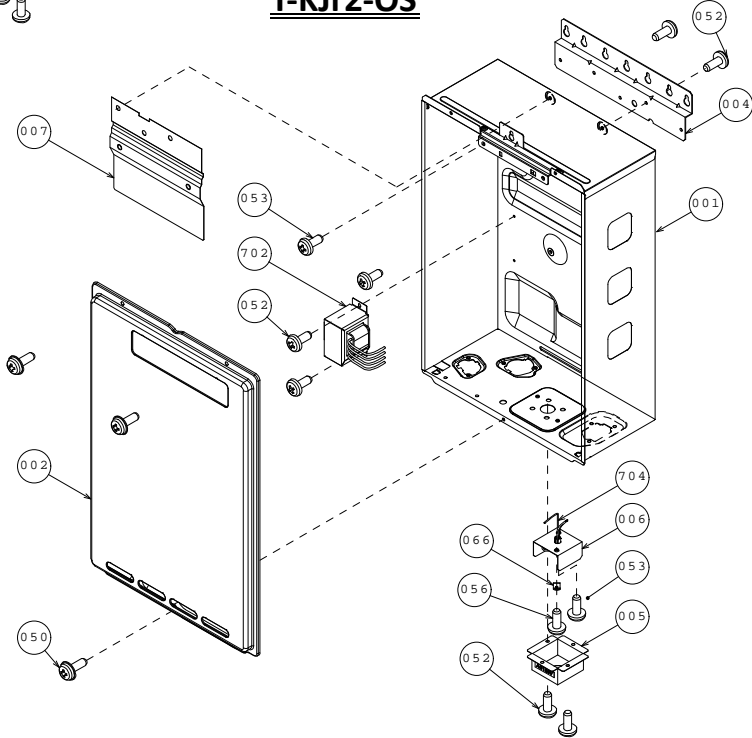
13. Components diagrams

Case assembly

T-KJr2-IN

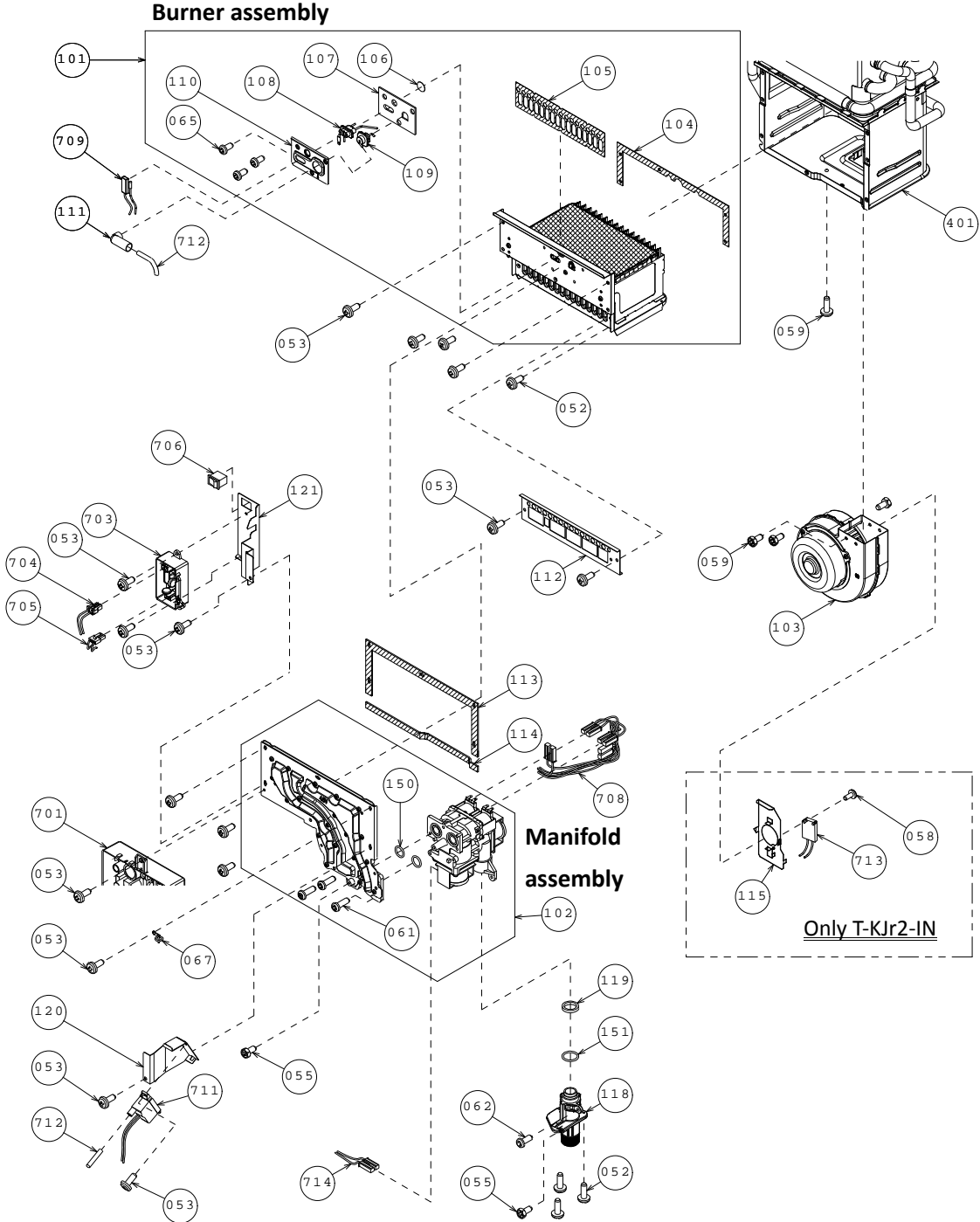


T-KJr2-OS



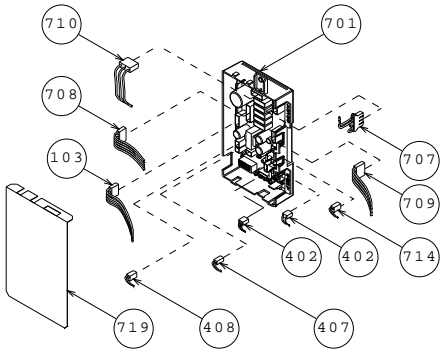
Burner assembly

T-KJr2-IN/OS



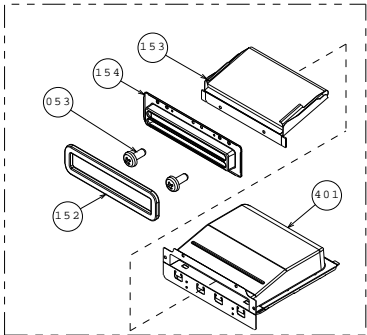
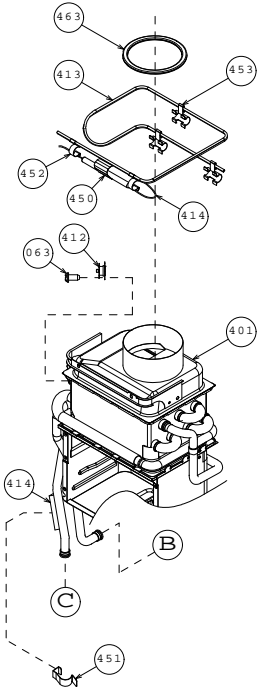
Computer board assembly

T-KJr2-IN / OS

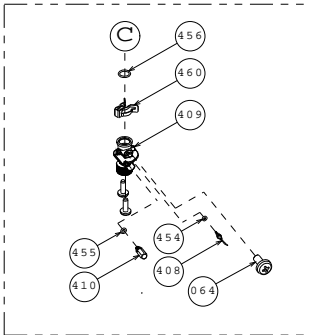


Water way assembly

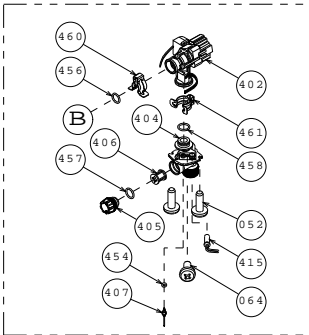
T-KJr2-IN/OS



Exhaust section (OS model)



Water outlet section



Water inlet section

14. Parts list

Item #	Part #	Description	Common parts for other models
001	EK415	Case assembly (IN)	
	EK432	Case assembly (OS)	
002	EK419	Front cover (IN)	
	EK433	Front cover (OS)	
003	EK401	Air blockage plate	T-K4-IN/OS, T-D2-IN/OS,
004	EKJ09	Bracket	T-K3, T-K3-Pro, T-K3-SP/OS, T-K4-IN/OS, T-D2-IN/OS
005	EKJ64	Junction box	T-K3, T-K3-Pro, T-K3-SP/OS, T-H2-DV/OS , T-K4-IN/OS, T-D2-IN/OS, T-M50, T-M32
006	EKJ66	Junction box inner plate	T-K3, T-K3-Pro, T-K3-SP/OS, T-H2-DV/OS, T-K4-IN/OS, T-D2-IN/OS
007	EX00M	Back guard panel	
050	EW000	Screw M4×12 (W/Washer)	*
051	EW001	Screw M4×10 (W/Washer)	*
052	EW002	Screw M4×10 (Coated)	*
053	EW003	Screw M4x10	*
054	EW004	Hex head screw M4×12 (W/Washer)	*
055	EW005	Hex head screw M4x8	*
056	EX014	Screw M4x10	*
057	EW00B	Screw M3x6 SUS3	*
058	EW008	Screw M3x10	*
059	EW00H	Pan screw M4x12 (W/Washer)	*
060	EW024	Pan screw M4x10 FEZN	*
061	EKK31	Tap tight screw M4x12 FEZN	*
062	EW006	Pan screw M4x10	*
063	EW00A	Screw M3x6	*
064	EW009	Screw M4x6	*
065	EW00D	Pan screw M4x8	*
066	EC00X	Nylon clamp	T-K3, T-K3-Pro, T-K3-SP/OS, T-H2-DV/OS, T-K4-IN/OS, T-D2-IN/OS, T-M32

Item #	Part #	Description	Common parts for other models
067	EM167	Wire clamp 60	T-K3, T-K3-Pro, T-K3-SP/OS, T-H2-DV/OS, T-K4-IN/OS, T-D2-IN/OS, T-M50, T-M32
101	EK417	Burner assembly	
102	EK429	Manifold with gas valve assembly LP	
	EK421	Manifold with gas valve assembly NA	
103	EX02E	Fan motor	
104	EX00V	Burner holder gasket	
105	EKK2X	Burner gasket	T-K3, T-K3-Pro, T-K3-SP/OS, T-H2-DV/OS, T-K4-IN/OS, T-D2-IN/OS
106	EKK2V	Burner window	T-K3, T-K3-Pro, T-K3-SP/OS, T-H2-DV/OS, T-K4-IN/OS, T-D2-IN/OS, T-M50, T-M32
107	EKK2W	Rod holder gasket	T-H2-DV/OS, T-K4-IN/OS, T-D2-IN/OS, T-M50, T-M32
108	EX00R	Flame rod	
109	EX00S	Igniter rod	
110	EX00U	Rod holder	
111	EKN61	Rod cap	T-K3, T-K3-Pro, T-K3-SP/OS, T-H2-DV/OS, T-K4-IN/OS, T-D2-IN/OS, T-M50, T-M32
112	EK430	Burner damper	
113	EKK2Y	Manifold gasket A	T-K3, T-K3-Pro, T-K3-SP/OS, T-H2-DV/OS, T-K4-IN/OS, T-D2-IN/OS, T-M50
114	EKK2K	Manifold gasket B	T-K3, T-K3-Pro, T-K3-SP/OS, T-H2-DV/OS, T-K4-IN/OS, T-D2-IN/OS, T-M50
115	EK416	Fan damper	
118	EKK1E	Gas inlet	T-K3, T-K3-Pro, T-K3-SP/OS, T-H2-DV/OS, T-K4-IN/OS, T-D2-IN/OS
119	EKK2Z	Gas inlet ring	T-K3, T-K3-Pro, T-K3-SP/OS, T-H2-DV/OS, T-K4-IN/OS, T-D2-IN/OS
120	EKK1B	Igniter plate	T-K3, T-K3-Pro, T-K3-SP/OS, T-H2-DV/OS, T-K4-IN/OS, T-D2-IN/OS, T-M50, T-M32

Item #	Part #	Description	Common parts for other models
121	EKK4H	Surge box plate	T-K4-IN/OS
150	EZP18	O-ring P18 NBR (Black)	T-K3, T-K3-Pro, T-K3-SP/OS, T-K4-IN/OS, T-D2-IN/OS, T-M50
151	EK042	O-ring P20 NBR (Black)	T-K3, T-K3-Pro, T-K3-SP/OS, T-H2-DV/OS, T-K4-IN/OS, T-D2-IN/OS, T-M50
152	EK442	Silicon ring	
153	EKK53	Rain protection plate in Exhaust chamber	T-K3-SP/OS, T-K4-OS, T-D2-OS
154	EKK56	Exhaust port	T-K3-OS, T-K4-IN/OS, T-D2-IN/OS
401	EK418	Heat exchanger assembly (IN)	
	EK426	Heat exchanger assembly (OS)	
402	EK427	Flow adjustment valve/Flow sensor	T-K4-IN/OS
404	EKK1U	Water inlet	T-K3, T-K3-Pro, T-K3-SP/OS, T-K4-IN/OS, T-D2-IN/OS
405	EKK2B	Inlet drain plug	T-K3, T-K3-Pro, T-K3-SP/OS, T-K4-IN/OS, T-D2-IN/OS
406	EKK2C	Inlet water filter	T-K3, T-K3-Pro, T-K3-SP/OS, T-K4-IN/OS, T-D2-IN/OS
407	EKK4J	Inlet thermistor	T-K3-SP/OS, T-K4-IN/OS
408	EKK55	Outlet thermistor	T-K3-SP/OS, T-K4-IN/OS
409	EKK1V	Water outlet	T-K3, T-K3-Pro, T-K3-SP/OS, T-K4-IN/OS, T-D2-IN/OS
410	EKK2E	Outlet drain plug	T-K3, T-K3-Pro, T-K3-SP/OS, T-K4-IN/OS, T-D2-IN/OS, T-M50
412	EM212	Hi-Limit switch	T-K4-IN/OS
413	EK333	Overheat-cut-off fuse	T-K3, T-K3-Pro, T-K3-SP/OS, T-K4-IN/OS, T-D2-IN/OS, T-M50
414	EKK2R	Heater	T-K3, T-K3-Pro, T-K3-SP/OS, T-K4-IN/OS, T-D2-IN/OS
415	EKK2P	Inlet heater	T-K3, T-K3-Pro, T-K3-SP/OS, T-H2-DV/OS, T-K4-IN/OS, T-D2-IN/OS, T-M32

Item #	Part #	Description	Common parts for other models
450	EKK27	Pipe heater fixing plate	T-K3, T-K3-Pro, T-K3-SP/OS, T-H2-DV/OS, T-K4-IN/OS, T-D2-IN/OS, T-M50, T-M32
451	EK031	Heater fixing plate 16	T-H2-DV/OS, T-K4-IN/OS, T-D2-IN/OS, T-M50, T-M32
452	EKK26	Fuse fixing plate 18	T-K3, T-K3-Pro, T-K3-SP/OS, T-H2-DV/OS, T-K4-IN/OS, T-D2-IN/OS, T-M50, T-M32
453	EK029	Fuse fixing plate 14	T-K3, T-K3-Pro, T-K3-SP/OS, T-KJ4-IN/OS, T-D2-IN/OS
454	EZM04	O-ring P4 FKM	T-K3, T-K3-Pro, T-K3-SP/OS, T-H2-DV/OS, T-K4-IN/OS, T-D2-IN/OS, T-M50, T-M32
455	EZM06	O-ring P6 FKM	T-K3, T-K3-Pro, T-K3-SP/OS, T-H2-DV/OS, T-K4-IN/OS, T-D2-IN/OS, T-M50, T-M32
456	EZM14	O-ring P14 FKM	T-K3, T-K3-Pro, T-K3-SP/OS, T-H2-DV/OS, T-K4-IN/OS, T-D2-IN/OS
457	EZM15	O-ring P15 FKM	T-K3, T-K3-Pro, T-K3-SP/OS, T-H2-DV/OS, T-K4-IN/OS, T-D2-IN/OS, T-M50, T-M32
458	EZM16	O-ring P16 FKM	T-K3, T-K3-Pro, T-K3-SP/OS, T-H2-DV/OS, T-K4-IN/OS, T-D2-IN/OS, T-M50, T-M32
460	EKK24	Fastener "14-22"	T-K3, T-K3-Pro, T-K3-SP/OS, T-H2-DV/OS, T-K4-IN/OS, T-D2-IN/OS
461	EM192	Fastener "16A"	T-K3, T-K3-Pro, T-K3-SP/OS, T-K4-IN/OS, T-D2-IN/OS
463	EKN50	Silicon ring	T-K3, T-K3-Pro, T-K3-SP, T-H2-DV, T-K4-IN/OS, T-D2-IN/OS, T-M32
701	EK420	Computer board	
702	EKH09	Transformer	T-K3, T-K3-Pro, T-K3-SP/OS, T-K4-IN/OS, T-D2-IN/OS
703	EK428	Surge box	T-K4-IN/OS, T-D2-IN/OS
704	EKK5M	AC 120 V wire	T-K3-SP/OS, T-H2-DV/OS, T-K4-IN/OS
705	EK408	Transformer wire	

Item #	Part #	Description	Common parts for other models
706	EKK4V	AC 120 V Power ON-OFF switch	T-K3-SP/OS, T-H2-DV/OS, T-K4-IN/OS, T-D2-IN/OS
707	EK407	Switch wire	
708	EKK3K	Gas valve wire	T-K3-SP/OS, T-K4-IN/OS
709	EK431	Flame rod wire	
710	EKK3R	EH-IG wire	T-K4-IN
	EKK40	EH-IG wire with freeze protection thermostat	T-K3-OS, T-K4-OS, T-D2-OS
711	EKN74	Igniter	T-K3, T-K3-Pro, T-K3-SP/OS, T-H2-DV/OS, T-K4-IN/OS, T-D2-IN/OS, T-M50, T-M32
712	EKK2M	High voltage igniter cable	T-K3, T-K3-Pro, T-K3-SP/OS, T-H2-DV/OS, T-K4-IN/OS, T-D2-IN/OS, T-M50
713	EKJ59	Freeze protection thermostat	T-K3, T-K3-Pro, T-K3-SP, T-K4-IN, T-D2-IN, T-M32
714	EKK58	Proportional gas valve wire	T-K4-IN/OS
719	EKK49	Computer board cover	T-K4-IN/OS