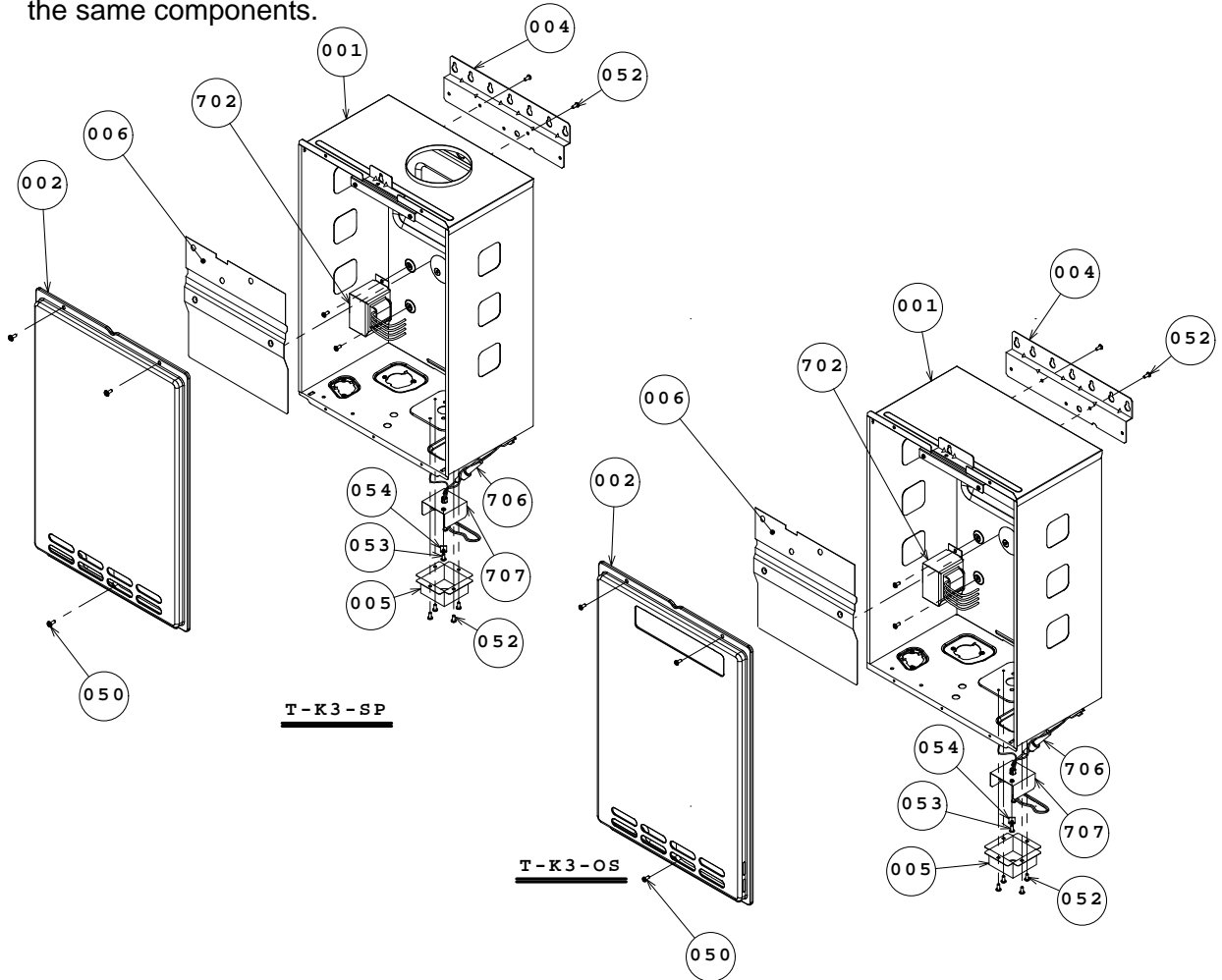


13. Components diagrams

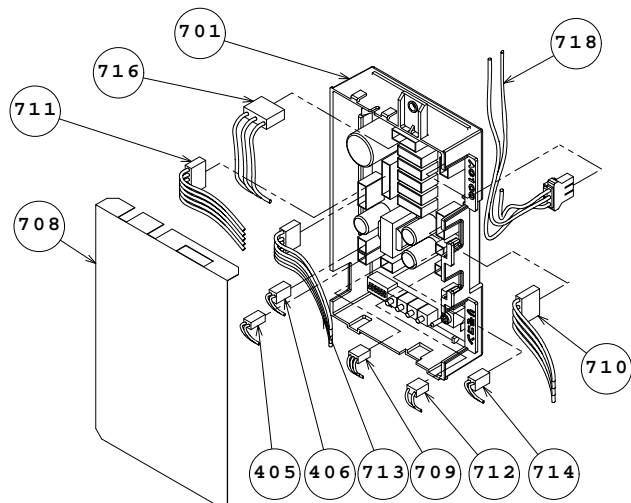
Case assembly

Other than the case assembly (No.1) and front cover (No.2), the T-K3-OS and T-K3-SP share the same components.



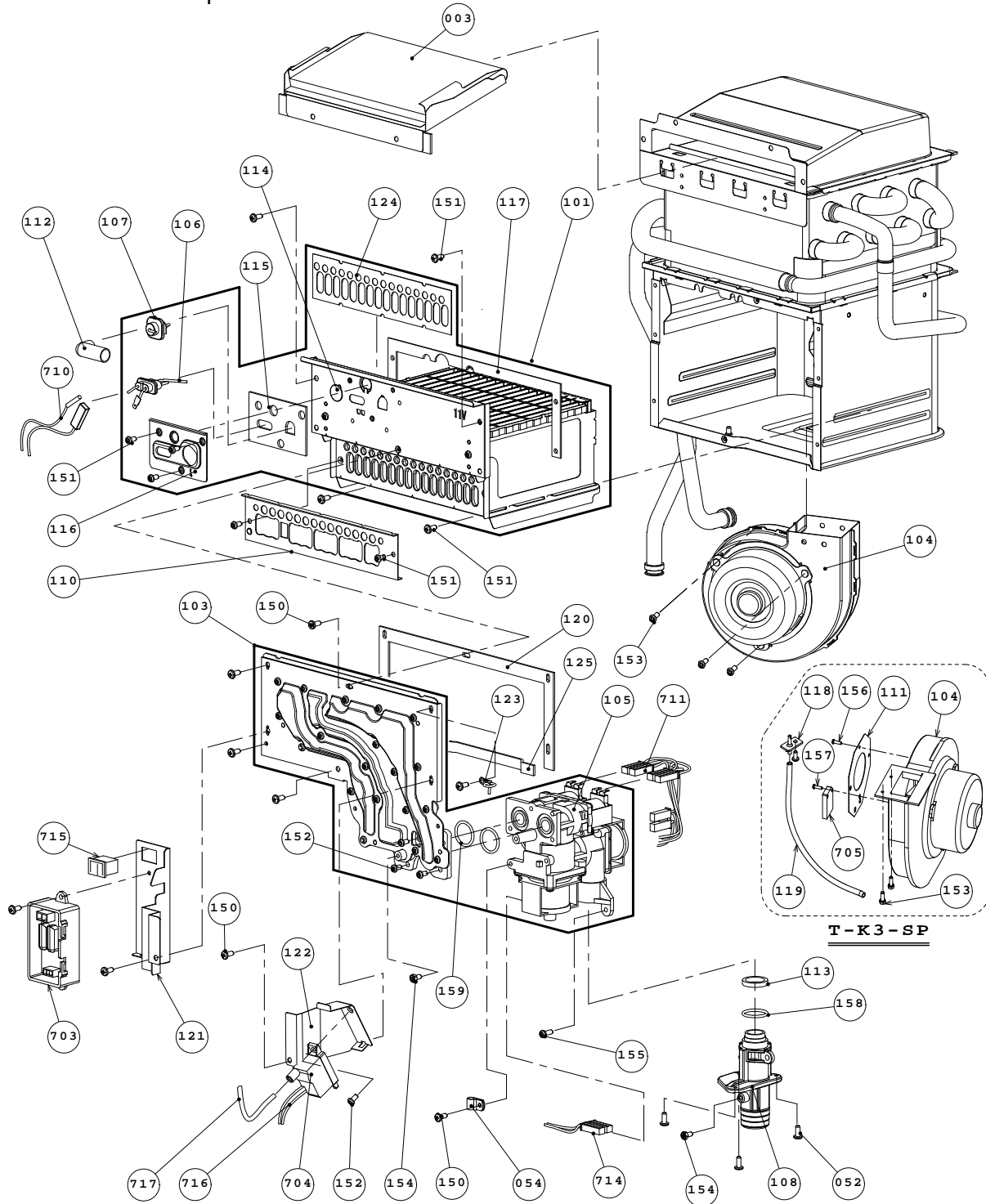
Computer board assembly

Other than Part# 716, the T-K3-OS and T-K3-SP share the same components.



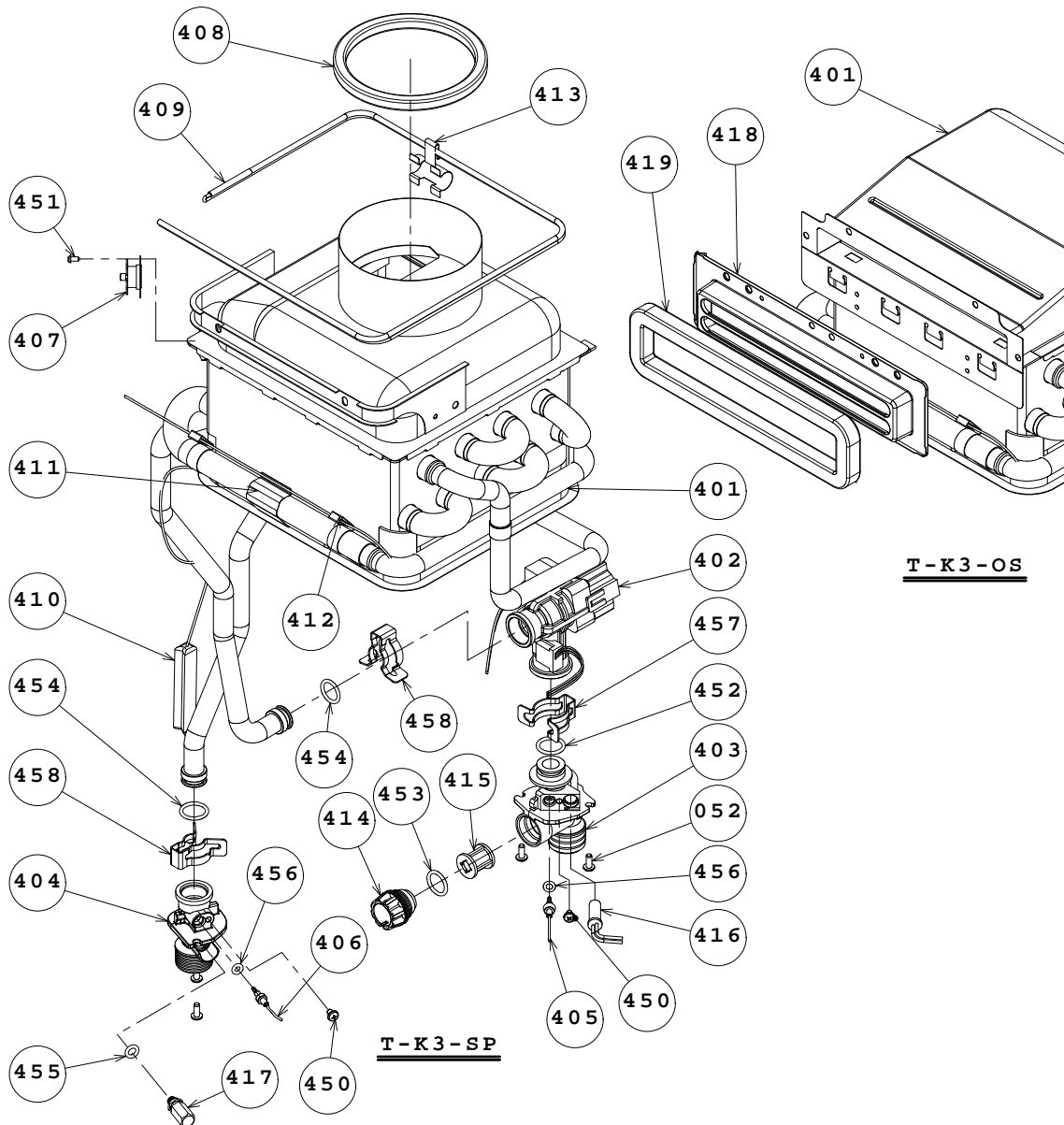
Burner assembly

Other than the burner assembly (No.101), manifold assembly with gas valve assembly (No.103), fan motor (No.104), damper (No.110), fan damper (No.111), pressure port (No.118), urethane tube (No.119) and freeze protection thermostat (No.705), the T-K3-OS and T-K3-SP share the same components.



Water way assembly

Other than the heat exchanger assembly (No.401), exhaust (No.418) and silicon ring (No.419), the T-K3-OS and T-K3-SP share the same components.



14. Parts list

Other than the case assembly (No.1), front cover (No.2), burner assembly (No.101) manifold assembly with gas valve assembly (No.103), fan motor (No.104), damper (No.110), fan damper (No.111), pressure port (No.118), urethane tube (No.119), heat exchanger assembly (No.401), exhaust (No.418), silicon ring (No.419), freeze protection thermostat (No.705) and Igniter and freeze protection wire (No.716), the T-K3-OS and T-K3-SP share the same components.

Item #	Part #	Description	Common parts for other units
1	EKK41(OS) EKK42(SP)	Case assembly	
2	EKK43(OS) EKK4E(SP)	Front cover	
3	EKK53	Rain protection plate in Exhaust chamber	
4	EKJ09	Bracket	TKJr,TK3,Pro
5	EKJ64	Junction box	TK3,TM50,TM32,TKJr,Pro
6	EKK5H	Back guard panel	TK3,Pro
50	EW000	Screw M4X12 (w/washer)	*
52	EW002	Screw M4X10 (coated)	*
53	EW003	Screw M4X10	*
54	EC00X	Nylon cramp	TK3,TM32,Pro
101	EKK47(OS) EKK1N(SP)	Burner assembly	TK3,Pro
103	EKK4Z(OS) EKK1S(SP)	Manifold assembly with gas valve assembly LP	TK3,Pro
	EKK1T(OS/SP)	Manifold assembly with gas valve assembly NG	TK3,Pro
104	EKK54(OS) EKK25(SP)	Fan motor	TK3,Pro,TM32,TM50
105	EKK1W	Gas valve assembly	TK3,Pro
106	EKK0E	Flame rod	TK3,TM50,TM32,Pro
107	EKK0F	Igniter rod	TK3, TM50,TM32,Pro
108	EKK1E	Gas inlet	TK3,Pro
110	EKK48(OS) EKK1P(SP)	Damper	
			TK3,TM50,Pro

Item #	Part #	Description	Common parts for other units
111	EK270(SP)	Fan damper	TK3,TK2,TKD20,Pro,TM50
112	EKN61	Rod cap	TK3,TM50,TM32,TK1S,TKJr,T-H1,Pro
113	EKK2Z	Gas inlet ring	TK3,Pro
114	EKK2V	Burner window	TK3,TM50,TM32,Pro
115	EKK2W	Rod holder gasket	TK3,TM50,TM32,Pro
116	EKK32	Rod holder	TK3, TM50, TM32, Pro
117	EKK0G	Burner holder gasket	TK3, TM50, Pro
118	EKK2D(SP)	Pressure port	TK3, TM50, TM32, Pro
119	EKK2N(SP)	Urethane tube	TK3, Pro
120	EKK2Y	Manifold gasket A	TK3, TM50, Pro
121	EKK4H	Fuse box plate	
122	EKK1B	Igniter plate	TK3, TM50, TM32, Pro
123	EM167	Wire cramp 60	TK1S, TKJr, T-H1, TK2, TKD20, TM1 TM199, TK3, TM50, TM32, Pro
124	EKK2X	Burner gasket	TK3, Pro
125	EKK2K	Manifold gasket B	TK3, TM50, Pro
150	EW003	Screw M4X10	*
151	EW002	Screw M4X10 (coated)	*
152	EKK37	Screw M4X12	*
153	EW004(SP)	Hex head screw washer M4 X12 (w/washer)	*
154	EW005	Hex head screw M4X8	*
155	EW006	Pan screw M4X10	*
156	EW00B(SP)	Screw M3X6	*
157	EW008	Screw M3X10	*
158	EK042	O-ring P20 NBR (Black)	TM50, TK2, TKD20, TK1S, TKJr, TK3, Pro
159	EZP18	O-ring P18 NBR (Black)	TM1, TM199, TH1, TK2, TKD20, TK3, TK1S, Pro, TM50
401	EKK46(OS) EKK4F(SP)	Heat exchanger assembly	
402	EKK3D	Flow adjustment valve / Flow sensor	
403	EKK1U	Water inlet	TK3, Pro

Item #	Part #	Description	Common parts for other units
404	EKK1V	Water outlet	TK3,Pro
405	EKK4J	Inlet thermistor	
406	EKK55	Outlet thermistor	
407	EKN34	Hi-limit switch	TK1S,TKJr,TH1,TK3,TM50,TM32,Pro
408	EKN50(SP)	Silicon ring	TK1S,TH1,TK3,TM32
409	EK333	Overheat-cut-off-fuse	TK3,Pro,TM50
410	EKK2R	Heater	TK3,Pro
411	EKK27	Pipe heater fixing plate	TK3, TM50, TM32, Pro
412	EKK26	Fuse fixing plate 18	TK3, TM50, TM32, Pro
413	EK029	Fuse fixing plate 14	TK2, TKD20, TK1S, TKJr, TM1, TK3, Pro, TM199
414	EKK2B	Inlet drain plug	TK3,Pro
415	EKK2C	Inlet water filter	TK3,Pro
416	EKK2P	Inlet heater	TK3, TM32, Pro
417	EKK2E	Outlet drain plug	TK3, TM50, Pro
418	EKK56(OS)	Exhaust	
419	EKK3G(OS)	Silicon ring	TM50
450	EW009	Screw M4X6	*
451	EW00A	Screw M3X6	*
452	EZM16	O-ring P16 EPDM (Purple)	TK2, TKD20, TK1S, TKJr, TH1, TM1 TM199, TK3, TM50, TM32, Pro
453	EZM15	O-ring P15 EPDM (Purple)	TK3, TM50, TM32, TK1S, TKJr, TH1, Pro
454	EZM14	O-ring P14 EPDM	TK3, Pro
455	EZM06	O-ring P6 EPDM (Purple)	TK2, TKD20, TK1S, TKJr, TH1, TM1 TM199, TK3, TM50, TM32, Pro
456	EZM04	O-ring P4 EPDM (Purple)	TK2, TKD20, TKJr, TK1S, TK3, TM1 TM199, TH1, TM50, TM32, Pro
457	EM192	Fastener "16A"	TK3, TK2, TKD20, TK1S, TKJr, TM1, TM199, TH1
458	EKK24	Fastener "14-22"	TK3, Pro
701	EKK4N	Computer board	
702	EKH09	Transformer	TH1, TK3, Pro
703	EK280	Fuse box	TK2, TKD20
704	EKN74	Igniter	TK3, TM50, TM32, TK1S, TKJr, TH1, Pro

Item #	Part #	Description	Common parts for other units
705	EKK40(OS) EKJ59(SP)	Freeze protection thermostat	TK3,TKJr,TK2,TK1S,TM32,Pro
707	EKJ66	Junction box inner plate	TK3,Pro
708	EKK49	Computer board cover	
709	N/A	Flow sensor wire	
710	EKK3L	Flame rod wire	
711	EKK3K	Gas valve wire	
712	N/A	Flow adjustment valve wire	
713	N/A	Fan motor cable	
714	EKK58	Proportional gas valve wire	
715	EKK4V	AC120V Power ON-OFF switch	
716	EKK40(OS) EKK3R(SP)	Igniter and freeze protection wire	
717	EKK2M	High voltage igniter wire	TK3,TM50,Pro
718	EKK3C	AC120V wire	