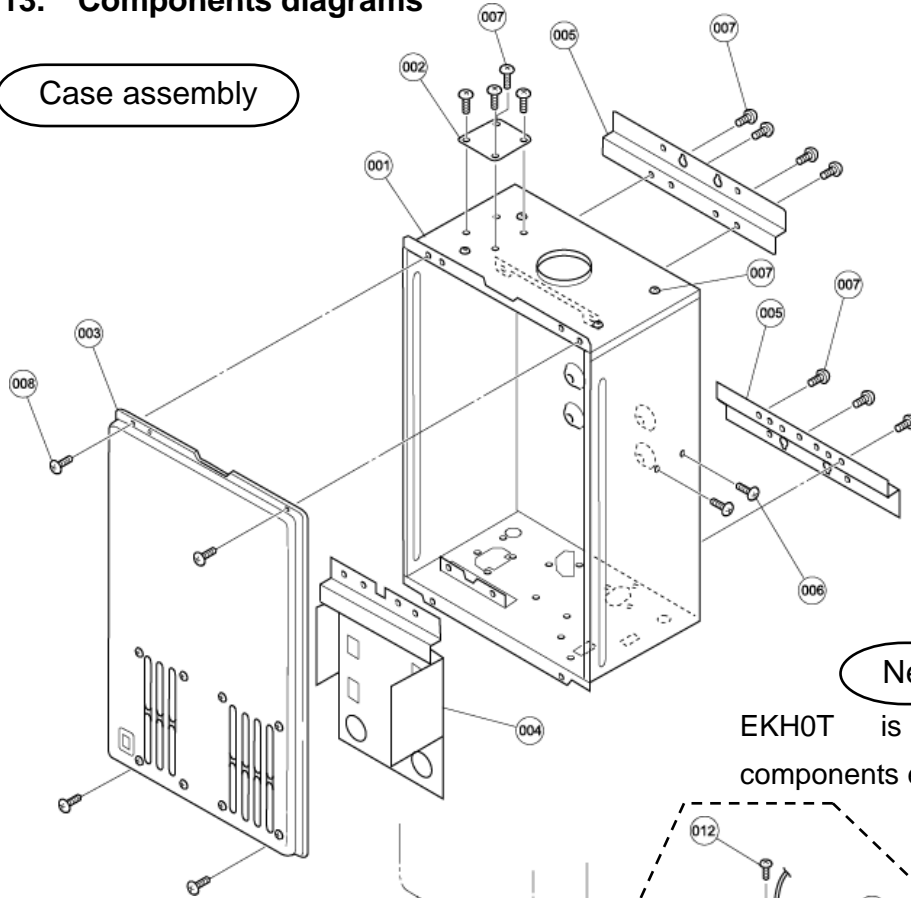


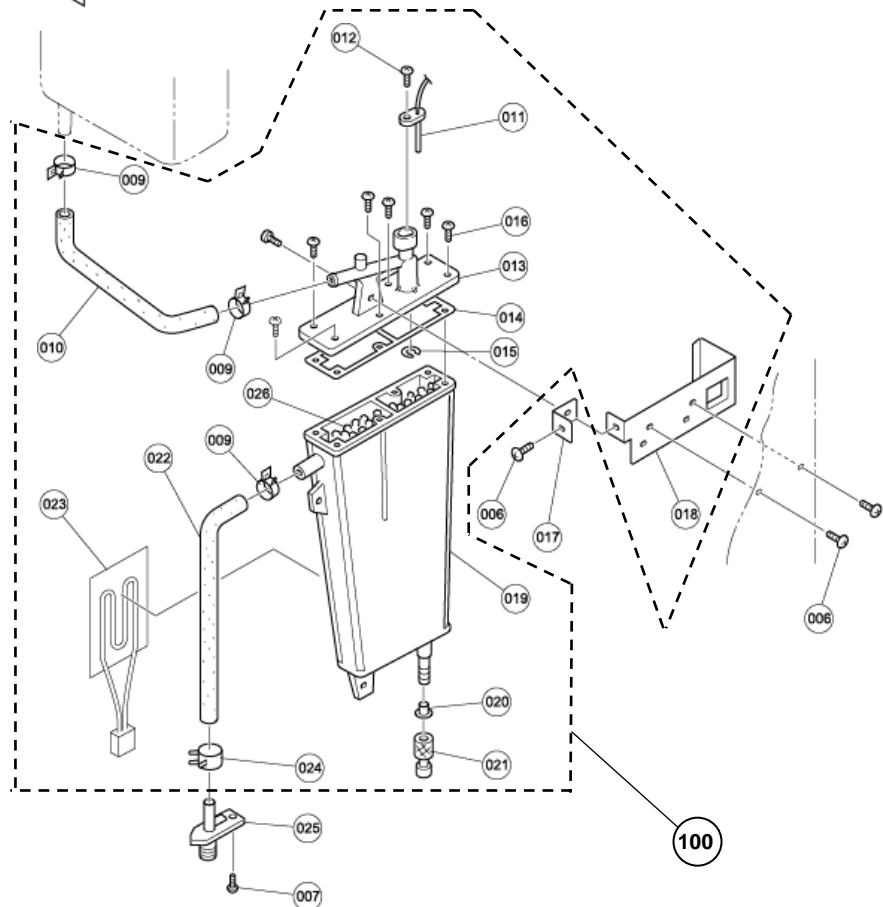
13. Components diagrams

Case assembly

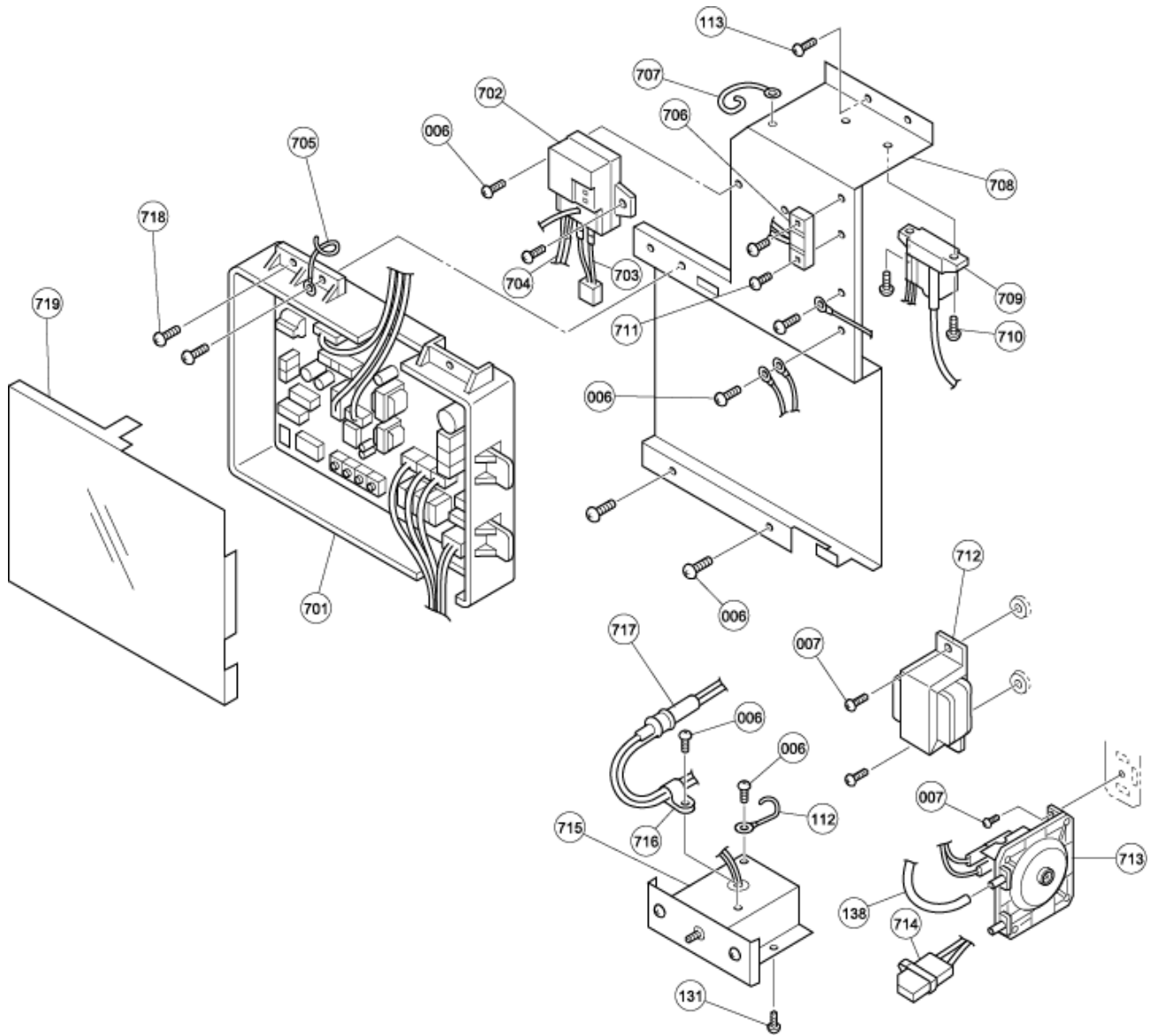


Neutralizer assembly

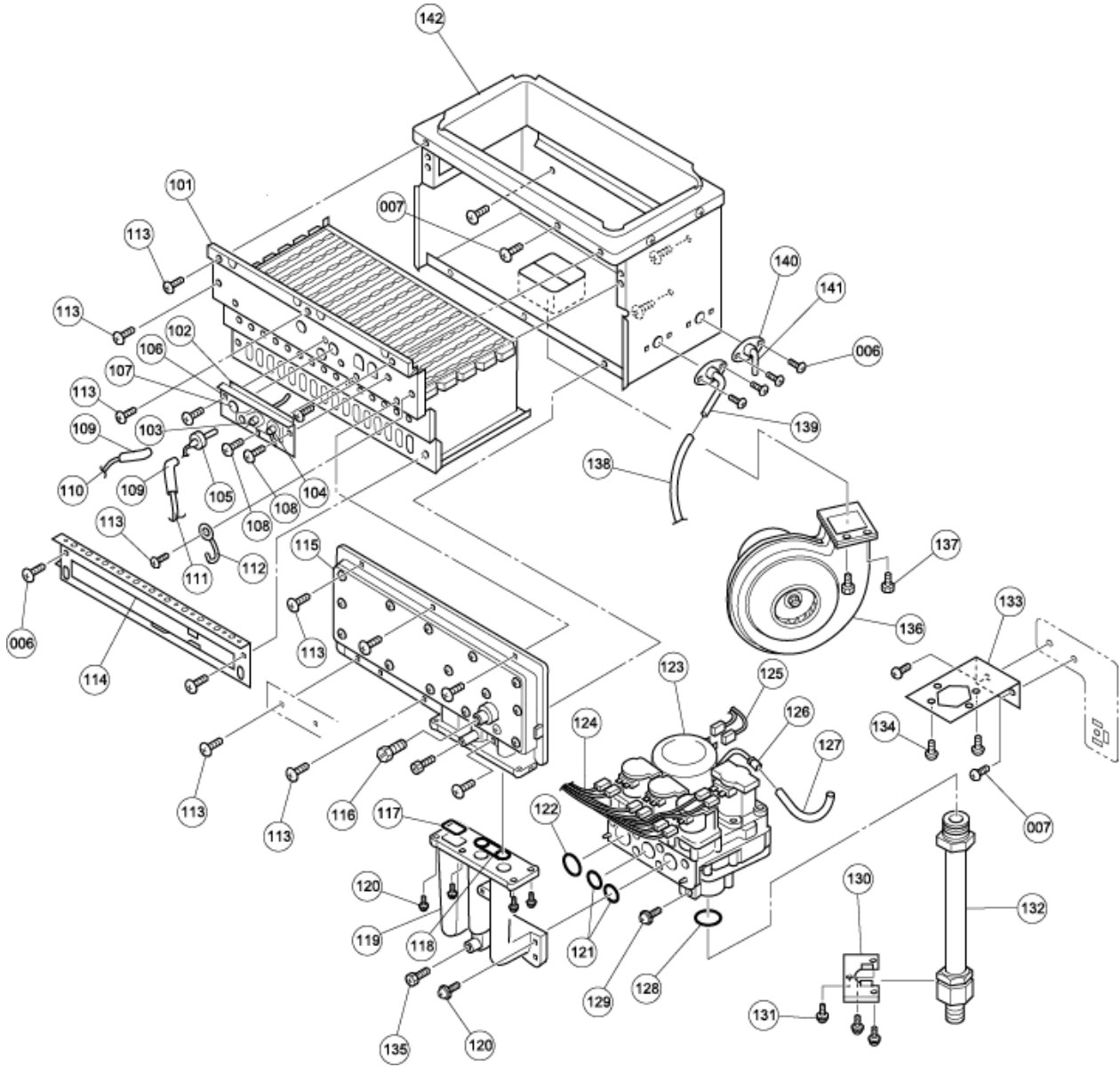
EKH0T is consisted of some components enclosed in the dotted line.



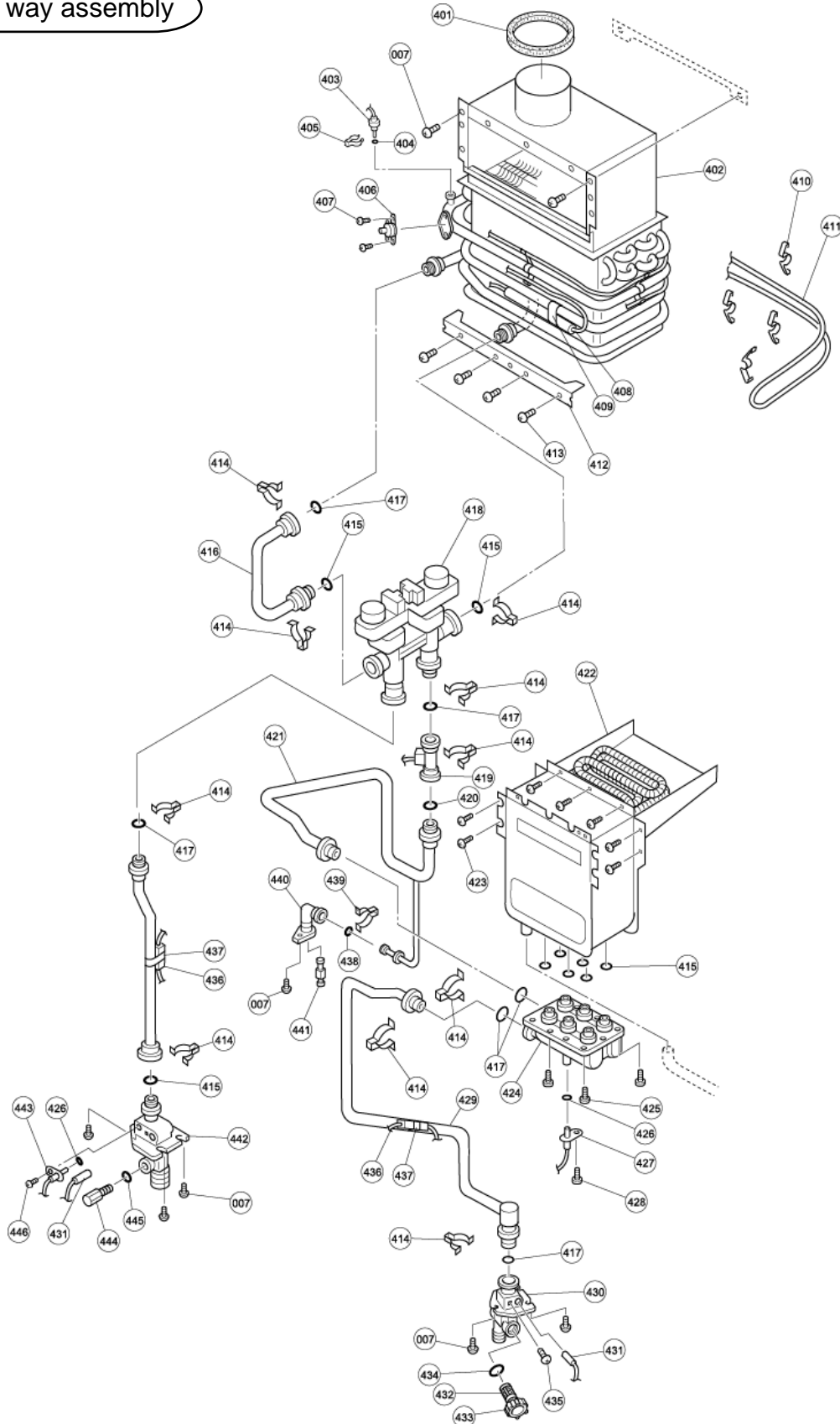
Computer board assembly



Burner assembly



Water way assembly



14. Parts list

Item #	Part #	Description	Common parts for other units
1	EKH0A	Case assembly	
2	EKH1H	Intake air plate	
3	EKH0C	Front cover	
4	EKH0B	Back guard panel	
5	EM104	Bracket	TM1, TM199, TM32
6	EW003	Screw M4X10	*
7	EW002	Screw M4X10 (Coated)	*
8	EW000	Screw M4X12 (w/washer)	*
9	EKH1Y	Hose band	
10	EKH04	Drain income hose	
11	EKH1Z	Neutralizer thermistor	
12	EW010	Pan screw M4X10	*
13	EKH03	Neutralizer cover	
14	EKH35	Neutralizer gasket	
15	EKH37	Fixing ring	
16	EW011	Pan screw M4X16	
17	EKH0X	Neutralizer support plate	
18	EKH1X	Neutralizer fixing plate	
19	EKH2A	Neutralizer case	
20	EKH44	Neutralizer drain plug	
21	EKH21	Cap nut	
22	EKH05	Neutralizer drain hose	
23	EKH1R	Surface heater	
24	EKH22	One touch band	
25	EKH23	Condensation drain	
26	EX02F	Neutralizer	
100	EKH0T	Neutralizer assembly	
101	EKH2B	Burner assembly	
102	EKH2C	Rod gasket	
103	EKN51	Flame rod	
104	EKH2D	Igniter rod	

Item #	Part #	Description	Common parts for other units
105	EKH25	Thermocouple	
106	EKH26	Rod fixing plate	
107	EKN58	Rod window	
108	EW00Z	Pan screw M4X6	*
109	EKN61	Rod cap	TK3,Pro,OS,SP,TM50,TM32,TKJr,TK1S
110	EKH1D	Flame rod code	
111	EKJ44	Igniter cable	T-KJr
112	EM167	Wire clamp 60	TK2,TKD20,TKJr,TK1S,TK3,OS SP, TM1, TM199, TM50, TM32, Pro
113	EW00E	Screw M4X14	
114	EKH1S	Damper	
115	EKH07	Manifold (LP)	
	EKH08	Manifold (NG)	
116	EKN22	Manifold pressure port screw	TK1S,TKJr,TM1,TM199
117	EM174	Manifold gasket A	TK2,TKD20,TM1,TM199
118	EM175	Manifold gasket B	TK2,TKD20,TM1,TM199
119	EM176	Gas coupling	TM1,TM199
120	EW00T	Screw M4X12 (w/washer)	
121	EZP18	O-ring P18 NBR (Black)	TM1, TM199, TK2, TKD20, TK3, Pro, OS, SP, TM50
122	EZP22	O-ring P22 NBR (Black)	TM1, TM199
123	EM122	Gas valve unit	TM1, TM199
124	EKH2E	Gas valve wire	
125	EKH27	Proportional valve wire	
126	EKH28	Chamber pressure port	
127	EM206	Silicon tube	TM1, TM199
128	EZP26	O-ring P26 NBR (Black)	TM1, TM199, TM32
129	EW00U	Screw M4X8 (w/washer)	
130	EKN84	Gas inlet fixing plate	TK1S
131	EW001	Screw M4X10 (w/washer)	*
132	EKH0Z	Gas inlet	
133	EKH0W	Gas valve plate	
134	EW00U	Screw M4X8 (w/washer)	

Item #	Part #	Description	Common parts for other units
135	EW005	Hex head screw M4X8	*
136	EK268	Fan motor	TK2,TKD20
137	EW004	Hex head screw M4X12 (washer)	*
138	EKN83	Silicon tube	TK1S
139	EKH0K	Pressure switch pipe	
140	EM205	Pressure switch port plate	TKJr,TK1S,TM1,TM199,TK2,TKD20
141	EK277	Pressure switch pipe	TK2,TKD20
142	EKH0J	Combustion Chamber	
401	EKN50	Silicon ring	TK3,Pro,TM32,TK1S,SP
402	EKH0H	Primary heat exchanger assembly	
403	EKH29	Output thermistor	
404	EZM04	O-ring P4 EPDM (Purple)	TK3,Pro,TK2,TKD20,TKJr,TK1S,OS SP,TM1,TM199,TM50,TM32
405	EKH30	Fastener "4-11"	TK3,Pro,TM50,TM32
406	EKN34	Hi-Limit Switch	TK3,Pro,TKJr,TK1S,OS,SP,TM50,TM32
407	EW00A	Screw M3X6	*
408	EKN86	Pipe heater 122	TK1S,TM32,TM50
409	EKJ40	Fixing plate	TK1S,TKJr
410	EKN63	Over heat cut off fuse fixing plate	TK1S,TKJr
411	EKH01	Over heat cut off fuse	
412	EKH31	Heat exchanger fixing plate	
413	EW00P	S coat screw M4X10	*
414	EM192	Fastener "16A"	TK3,Pro,TK2,TKD20,TKJr,TK1S,OS,SP,TM1,TM199
415	EZM16	O-ring P16 EPDM (Purple)	TK3,Pro,TK2,TKD20,TKJr,TK1S,OS SP,TM1,TM199,TM50,TM32
416	EKH18	Heat exchanger existing pipe	
417	EZN17	O-Ring JASO#1017EPDM (Purple)	TM32
418	EKH32	Water control valve	TM32,TM50
419	EKH33	Flow sensor	TM32,TM50
420	EZN16	O-Ring JASO #1016 EPDM (Purple)	TM32,TK2,TKD20,TM1,TM199
421	EKH0M	Stainless heat exchanger out pipe	
422	EKH0Y	Secondary heat exchanger	

Item #	Part #	Description	Common parts for other units
423	EW00P	S coat screw M4X10	
424	EKH34	Header	
425	EW00D	Pan screw M4 X8	
426	EZM04	O-ring P4 EPDM (Purple)	TK3,Pro,TK2,TKD20,TKJr,TK1S,OS SP, TM1, TM199, TM50, TM32
427	EKH36	Inlet thermistor	
428	EW00Y	Pan screw M4X10	
429	EKH0L	Stainless heat exchanger in pipe	
430	EKH06	Water inlet	
431	EKN67	Heater 117	TK1S, TM50
432	EKN65	Filter	TK1S, TKJr
433	EKN68	Inlet drain plug	TK1S, TKJr
434	EZM15	O-ring P15 EPDM (Purple)	TKJr, TK1S, OS, SP, TM50, TM32, TK3, Pro
435	EW00S	Screw M4X6	
436	EKH20	Cement heater	
437	EKH38	Heater fixing plate 20	TM50
438	EZM06	O-ring P6 EPDM (Purple)	TK3,Pro,TK2,TKD20,TKJr,TK1S,OS SP, TM1, TM199, TM50, TM32
439	EKH39	Fastener "8"	
440	EKH40	Drain port	
441	EKH41	Pipe drain plug	
442	EKJ02	Water outlet	TM32, TKJ r
443	EKH42	Mixing thermistor	
444	EK239	Outlet drain plug	TM32, TK1S, TK2, TKD20
445	EZM06	O-ring P6 EPDM (Purple)	TK3,Pro,TK2,TKD20,TKJr,TK1S,OS SP, TM1, TM199, TM50, TM32
446	EW00L	Pan screw M4X6 (w/washer)	
701	EKH00	Computer board	
702	EM207	Ground Fault Circuit Interrupter	TM50, TM32, TM1, TM199
703	EKH1C	AC100V wire	
704	EKH1K	Transformer connecting wire	

Item #	Part #	Description	Common parts for other units
705	EM167	Wire clamp 60	TK3,Pro,TK2,TKD20,TKJr,TK1S,OS SP, TM1, TM199, TM50, TM32
706	EKH0V	Remote controller terminal	
707	EW00M	Wire clamp 110	
708	EKH0U	Computer board plate	
709	EKN74	Igniter	TKJr,TK1S,OS,SP, TM50, TM32, TK3, Pro
710	EW00N	Pan screw M4X12	
711	EW01A	Screw M3X12	
712	EKH09	Transformer	TK3,Pro,OS,SP
713	EKD08	Pressure switch	TM1, TM199, TK2, T-KD20
714	EKD07	Freeze protection thermostat	TKD20
715	EKH0R	Junction box	
716	EKN66	Nylon clamp	
717	EKN37	Fuse assembly	TK3,Pro,TK1S
718	EKH43	PCB cover	TM50