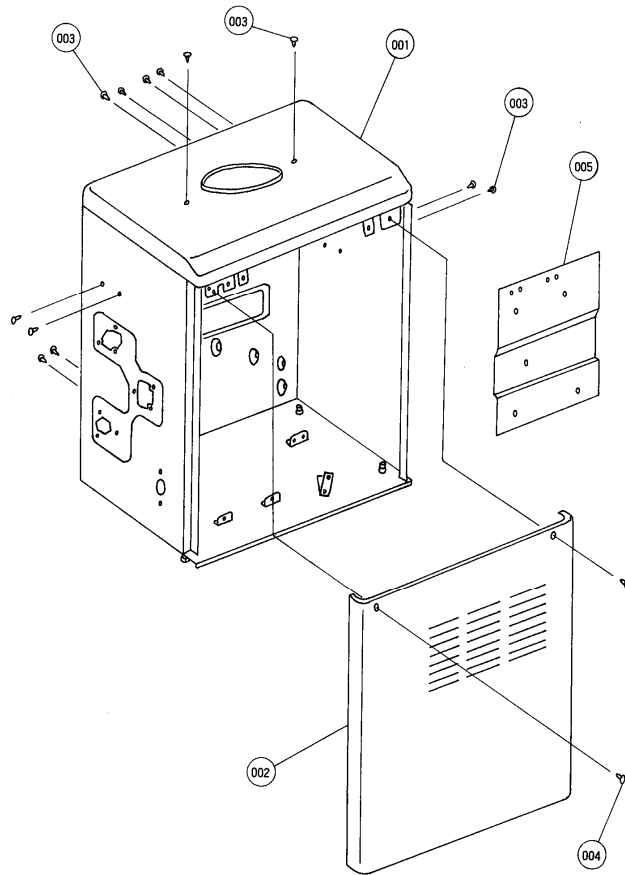


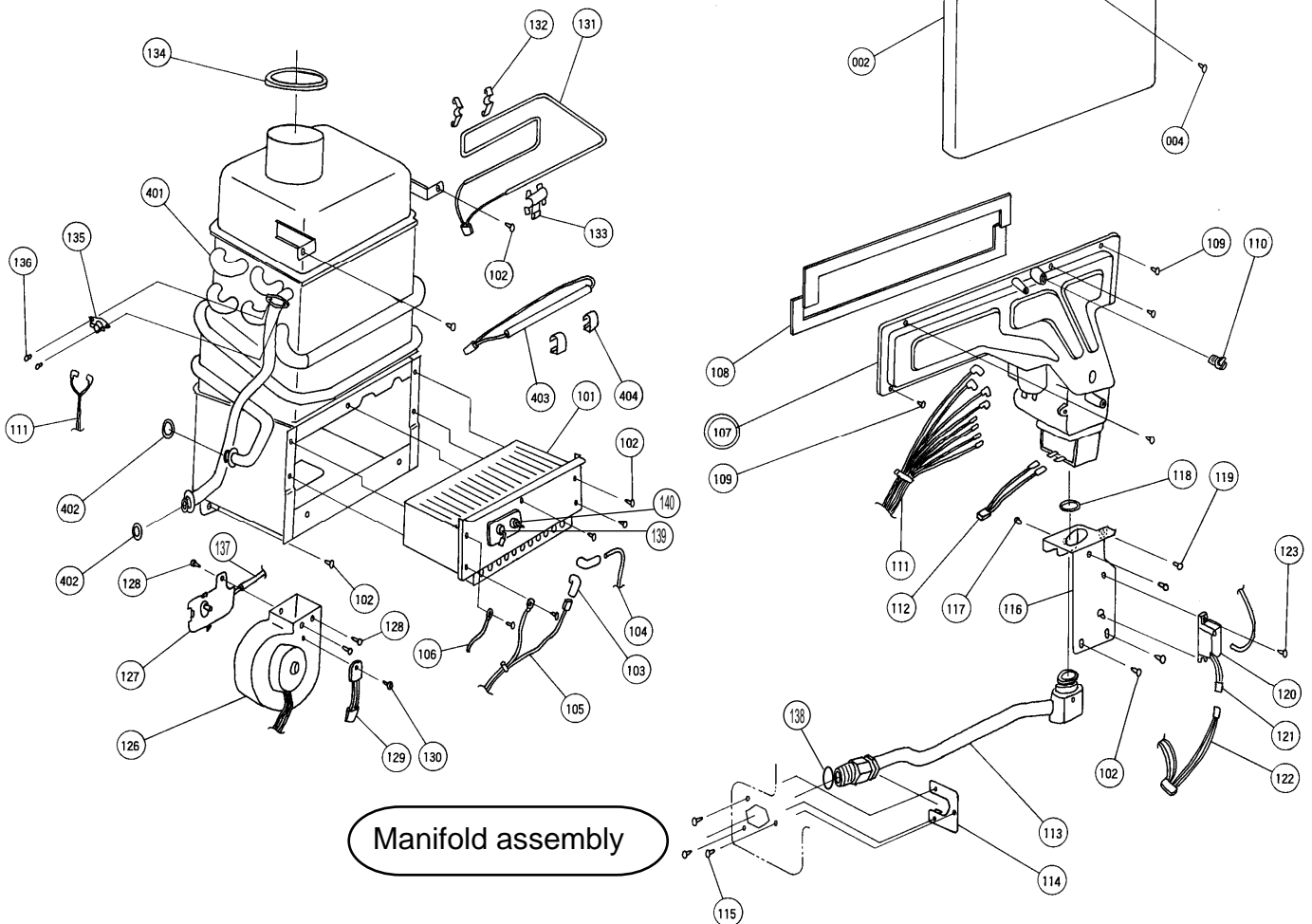
13-2. Components diagrams of the T-K1S

T-K1S

Case assembly

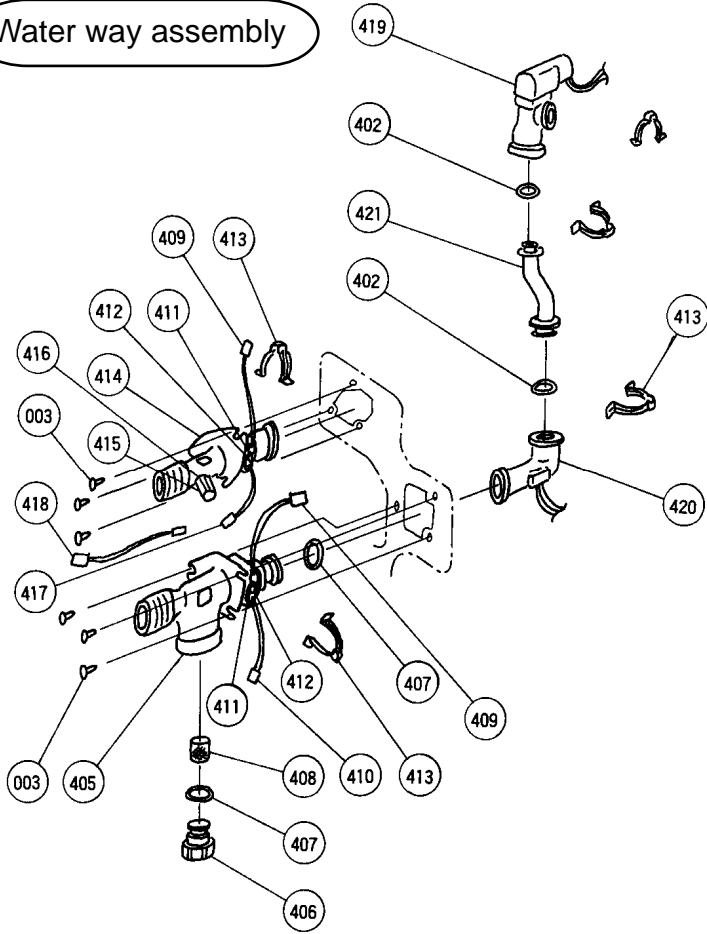


Burner assembly

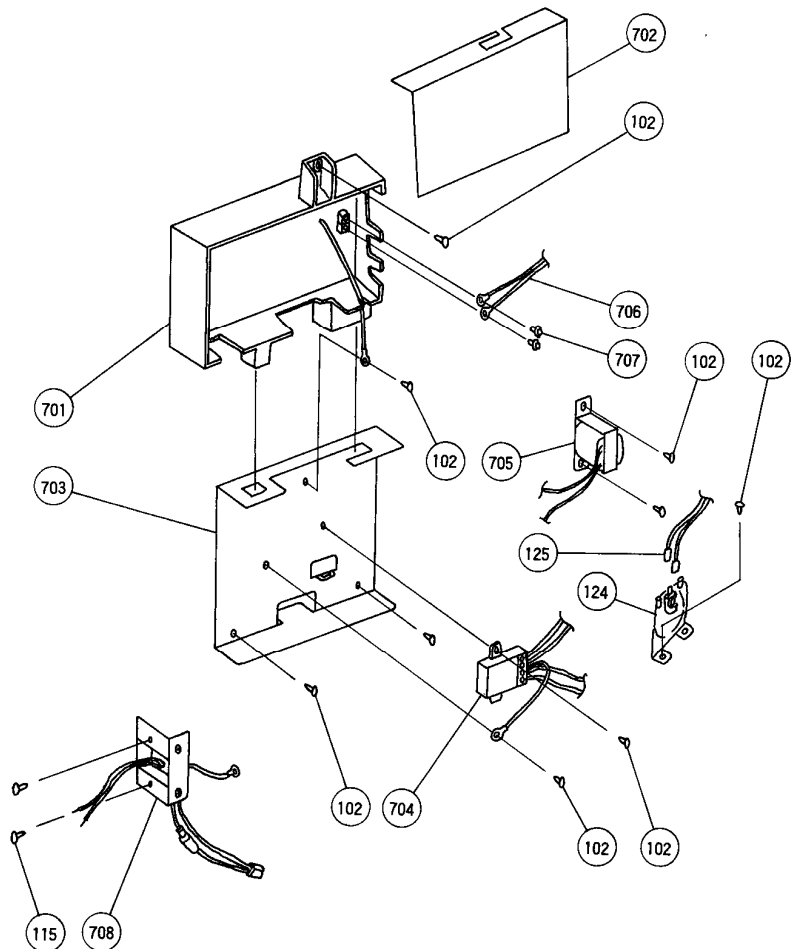


Manifold assembly

Water way assembly



Computer board assembly



14-2. Parts list of the T-K1S

Item #	Part #	Description	Common parts for other units
1	EKN00	Case assembly	
2	EKN02	Front cover	
3	EW002	Screw M4×10 (Coated)	*
4	EW001	Screw M4×10 (w/washer)	*
5	EKN01	Back guard panel	
101	EKN05	Burner assembly	
102	EW003	Screw M4×10	*
103	EKN61	Rod cap	TK3,Pro,OS,SP,TH1TM32,TM50,TKJr.
104	EKN13	High voltage ignite cable	
105	EKN52	Flame sensor wire	TKJr.
106	EM167	Wire clamp 60	TK2,TKD20,TK3,Pro,OS,SP, TH1,TM1,TM199,TM32,TM50,TKJr.
107	EKN31	Manifold assembly with gas valve assembly (LP)	
	EKN32	Manifold assembly with gas valve assembly (NG)	
108	EKN57	Manifold gasket	
109	EW00E	Screw M4×14	*
110	EKN22	Manifold pressure port screw	TH1,TM1,TM199,TKJr.
111	EKN36	Gas valve wire	
112	EKN53	Proportional gas valve wire	TKJr.
113	EKN07	Gas inlet with gas pipe	
114	EKN84	Gas inlet fixing plate	TH1
115	EW00F	Pan screw M4×10 (w/washer)	TKJr.
116	EKN06	Gas valve plate	
117	EW013	Screw M4×6 (w/washer)	
118	EK042	O-ring P20 NBR (Black)	TK2,TKD20,TK3,Pro,OS,SP,TM50
119	EW00G	Screw M4×12	*
120	EKN74	Igniter	TK3,Pro,OS,SP,TH1,TM32,TM50,TKJr.
121	EKN38	Igniter relay wire	
122	EKN18	IG-EH wire	

Item #	Part #	Description	Common parts for other units
123	EW00J	Screw M4×12	
124	EKN35	Pressure switch	
125	EKN17	Pressure switch code	
126	EKN21	Fan motor	
127	EKN80	Pressure switch plate	
128	EW00H	Pan screw M4×12 (w/washer)	*
129	EKJ59	Freeze protection thermostat	TK2,TK3,Pro,SP,TM32
130	EW008	Screw M3×10	*
131	EKN62	Overheat-cut-off-fuse	
132	EKN63	Overheat cut-off fuse fixing plate	TH1
133	EK029	Fuse fixing plate 14	TK2,TKD20,TK3,Pro,OS,SP,TM1,TM199
134	EKN50	Silicon ring	TK3,Pro,SP,TH1,TM32
135	EKN34	Hi limit switch	TK3,Pro,OS,SP,TH1,TM32,TM50
136	EW00A	Screw M3×6	*
137	EKN83	Silicon tube	TH1
138	EK022	Gas filter	TM1,TM199
139	EKN51	Flame rod	
140	EKN55	Igniter rod	
401	EKN04	Heat exchanger assembly	
402	EZM16	O-ring P16 EPDM (Purple)	TK2,TKD20,TK3,Pro,OS,SP, TH1,TM1,TM199,TM32,TM50,TKJr.
403	EKN86	Pipe heater 122	TH1,TM32,TM50
404	EKJ40	Fixing plate	TH1,TKJr.
405	EKN30	Water inlet	
406	EKN68	Inlet drain plug	TH1,TKJr.
407	EZM15	O-ring P15 EPDM (Purple)	TK3,Pro,OS,SP,TH1,TM32,TM50,TKJr.
408	EKN65	Filter	TH1,TKJr.
409	EKN67	Heater 117	TH1,TM50
410	EKN69	Inlet thermistor	TKJr.
411	EZM04	O-ring P4 EPDM (Purple)	TK2,TKD20,TK3,Pro,OS,SP, TH1,TM1,TM199,TM32,TM50,TKJr.
412	EW00L	Pan screw M4×6 (w/washer)	*

Item #	Part #	Description	Common parts for other units
413	EM192	Fastener "16A"	TK2,TKD20,TK3,Pro,OS,SP, TH1,TM1,TM199,TM32,TKJr.
414	EKN29	Water outlet	
415	EK239	Outlet drain plug	TK2,TKD20,TH1,TM32
416	EZM06	O-ring P6 EPDM (Purple)	TK2,TKD20,TK3,Pro,OS,SP, TH1,TM1,TM199,TM32,TM50,TKJr.
417	EKN71	Outlet thermistor	
418	EKN15	Thermistor code	
419	EKN28	Flow adjustment valve	TKJr.
420	EKN70	Flow sensor	TKJr.
421	EKN03	Inlet connection pipe	
701	EKN08	Computer board	
702	EKN72	Computer board cover	TKJr.
703	EKN09	Computer board fixing plate	
704	EKN73	Ground fault circuit interrupter	TK3,Pro
705	EKN33	Transformer	
706	EKN19	AC100V wire	
707	EW014	Screw M4x8 (w/washer)	
708	EKN81	Junction box assembly	