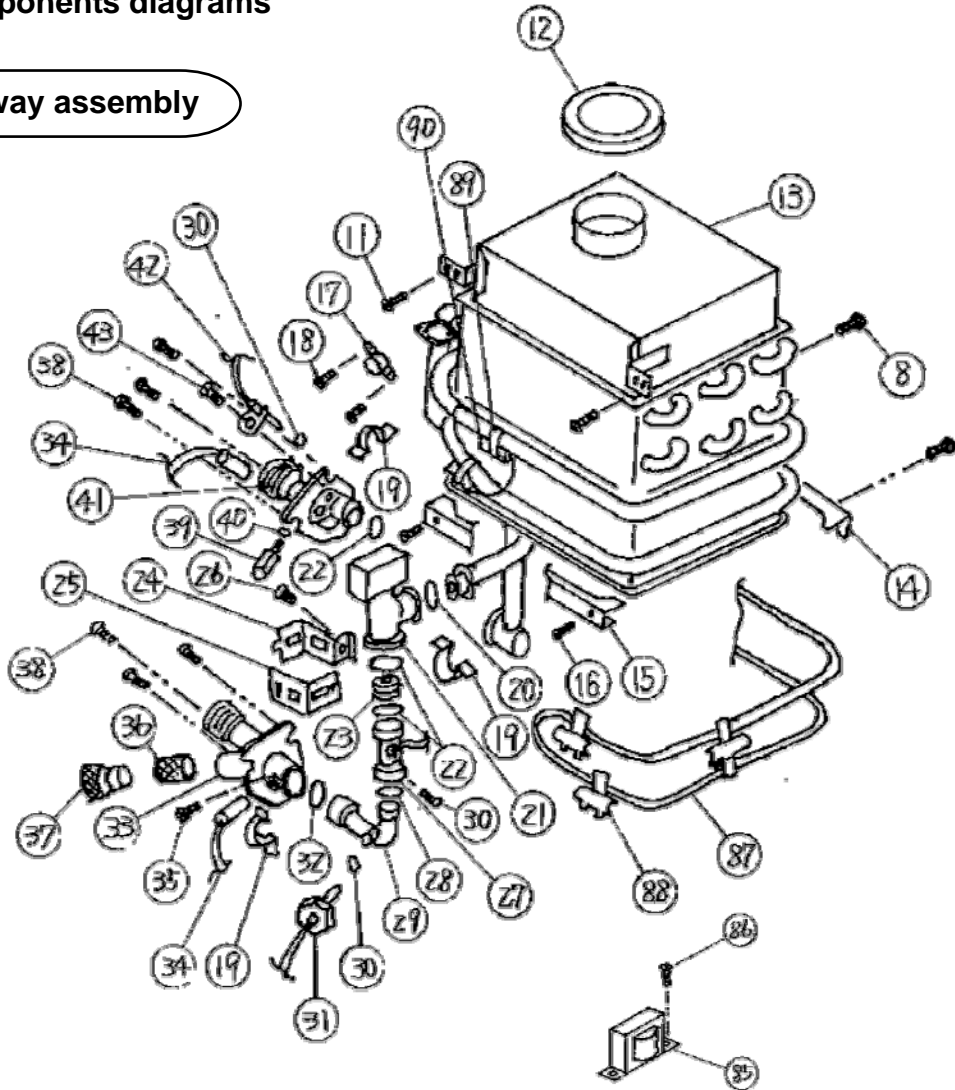
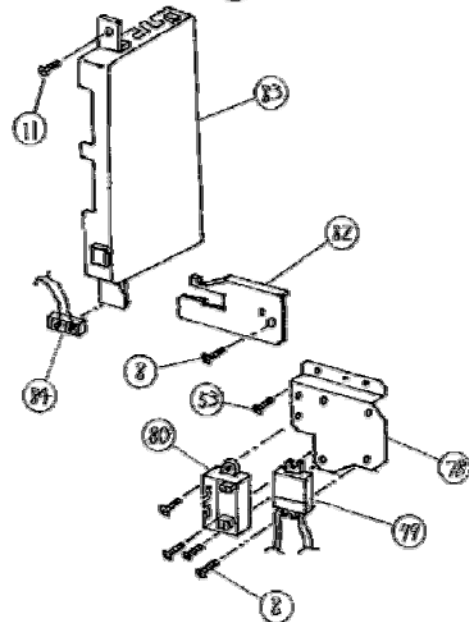


13. Components diagrams

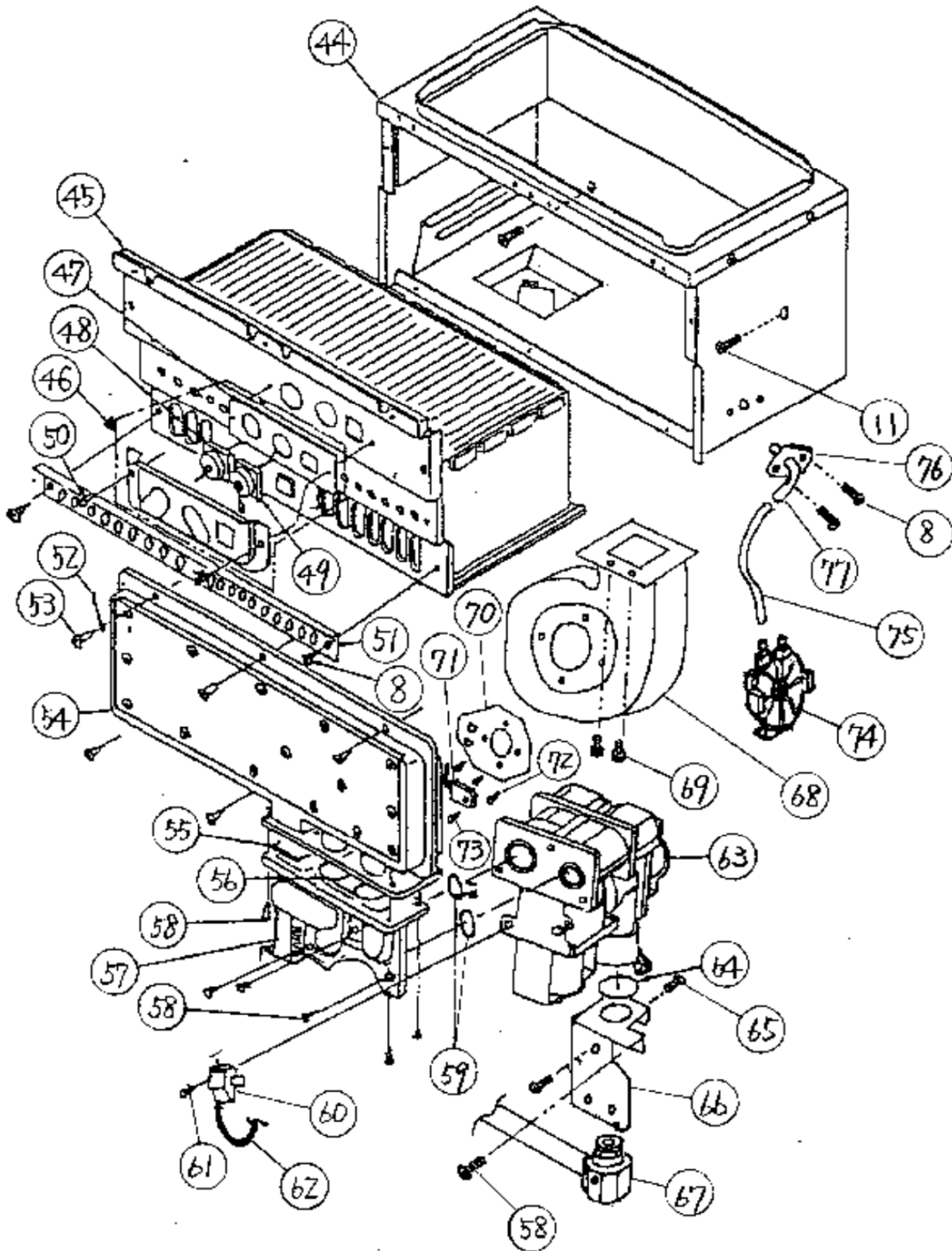
Water way assembly



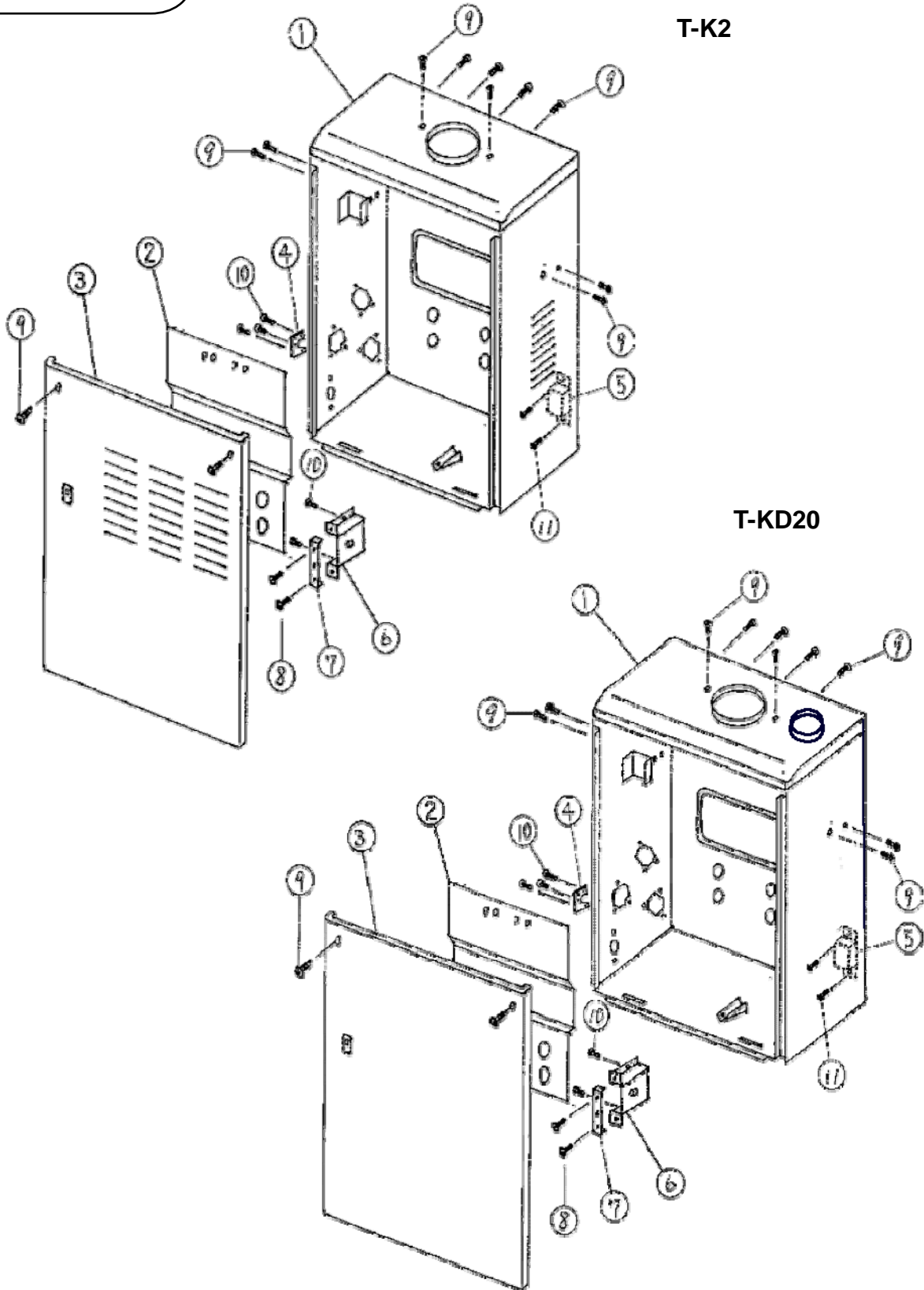
Computer board assembly



Burner assembly



Case assembly



14. Parts list

Item#	Part#	Description	Common parts for other units
1	EK201(T-K2) EKD01(T-KD20)	Case Assembly	
2	EK202	Back guard panel	
3	EK203(T-K2) EKD03(T-KD20)	Front cover	
4	EK023	Fixing plate	
5	EK205	Transformer	
6	EK061	Junction Box	TM199,T-M1
7	EK062	Junction Box Cover	TM199,T-M1
8	EW003	Screw M4×10	*
9	EW001	Screw M4×10 (W/Washer)	*
10	EW002	Screw M4×10 (Coated)	*
11	EW010	Pan screw M4×10	*
12	EK212	Silicon ring	
13	EK213	Heat exchanger assembly	
14	EK214	Heat exchanger fixing plate (Back)	
15	EK215	Heat exchanger fixing plate (Front)	
16	EW01F	Truss screw M4×14	*
17	EM212	Hi-Limit Switch	T-M1, TM199
18	EW00A	Screw M3×6	*
19	EM192	Fastener "16A"	T-KJr,T-K1S,TK3,OS,SP,TM199, TM1, TH1, Pro
20	EZM16	O-ring P16 EPDM (Purple)	T-KJr,T-K1S,T-K3,OS,SP, TM199, T-M1,T-H1,T-M50,T-M32,Pro
21	EK221	Flow adjustment valve	
22	EK040	O-ring JASO #1017	
23	EK223	Gasket	
24	EK224	Fixing plate A	
25	EK225	Fixing plate B	
26	EA114	Pan screw M4×10	
27	EK227	Flow sensor	
28	EZN19	O-ring JASO #1019 EPDM	TM1, TM199

Item#	Part#	Description	Common parts for other units
29	EK300	Connection pipe	
30	EZM04	O-ring P4 EPDM (Purple)	T-KJr,T-K1S,T-K3,OS,SP,TM199, T-M1,T-H1,T-M50,T-M32,Pro
31	EM187	Inlet thermistor	TM199,TM1
32	EZN16	O-ring JASO#1016 EPDM (Purple)	TH1,TM32,TM199,TM1
33	EK233	Water inlet	
34	EK234	Inlet heater	
35	EW00S	Screw M4x6	*
36	EK236	Filter	
37	EK237	Inlet drain plug	
38	EW01E	Truss screw M4x14	
39	EK239	Outlet drain plug	T-K1S,TH1, TM32
40	EZM06	O-ring P6 EPDM (Purple)	T-KJr, T-K1S, T-K3,OS,SP,TM199, T-H1,TM1,TM50,T-M32,Pro
41	EK241	Water Outlet	
42	EK242	Outlet thermistor	
43	EW00L	Pan screw M4x6(w/washer)	*
44	EK244(T-K2) EKD23(T-KD20)	Combustion chamber	
45	EK245	Burner assembly	
46	EK246	Rod assembly	
47	EK247	Rod holder gasket	
48	EK248	Igniter rod	
49	EK249	Flame rod	
50	EA114	Pan screw M4x10	*
51	EM159	Damper	TM1,TM199
52	EM167	Wire clamp 60	T-KJr, T-K1S,TK3,OS,SP,TM50,TM32 TM1,TM199,TH1,TK3,Pro
53	EW01N	Screw M4x12 (w/washer)	*
54	EK253 EK254	Manifold LP Manifold NG	
55	EM174	Manifold gasket A	TM1,TM199,TH1

Item#	Part#	Description	Common parts for other units
56	EM175	Manifold gasket B	TM1, TM199, TH1
57	EK257	Joint	
58	EW00G	Screw M4x12	*
59	EZP18	O-ring P18 NBR (Black)	TM1, TM199, TH1, TK3, OS, SP, Pro, TM50
60	EM208	Igniter	T-M1, TM199, T-K1
61	EA125	Pan screw M4x12	*
62	EK262	High voltage ignite cable	
63	EK263	Gas valve assembly	
64	EK042	O-ring P20 NBR (Black)	TK1, TKJr, TK1S, TM50, TK3, Pro, OS, SP
65	EW013	Screw M4x6 (w/washer)	*
66	EK266	Gas inlet fixing plate	
67	EK267	Gas inlet	
68	EK268	Fan motor	TH1
69	EW004	Hex head screw M4x12 (w/washer)	*
70	EK270	Fan damper	TK3, SP, Pro, TM50
71	EKJ59(T-K2)	Freeze protection thermostat	TK3, SP, TKJr, TK1S, TM32, Pro
	EKD07(T-KD20)		TH1
72	EW01K	Screw M3x8 (w/washer)	*
73	EW008	Screw M3x10	*
74	EKD08	Pressure switch	TM1, TM199, TH1
75	EK275	Silicon tube	T-KJr
76	EM205	Pressure switch port plate	TM1, TM199, TH1
77	EK277	Pressure switch pipe	T-H1
78	EK278	Fixing Plate for fuse box	
79	EK279	Ground fault circuit interrupter	
80	EK280	Fuse box	OS, SP
82	EK282	PCB fixing plate	
83	EK283(T-K2)	Computer board	
	EKD06(T-KD20)		
84	EK284	Remote controller terminal	

Item#	Part#	Description	Common parts for other units
85	EK285	Computer transformer	
86	EW002	Screw M4x10 (Coated)	*
87	EK287	Overheat-cut –off-fuse	
88	EK029	Fuse fixing plate 14	T-KJr,T-K1S,TK3,OS,SP,TM1,TM199,Pro
89	EK031	Heater fixing plate 16	TM32,TM1,TM50
90	EK030	Freeze protection Heater	