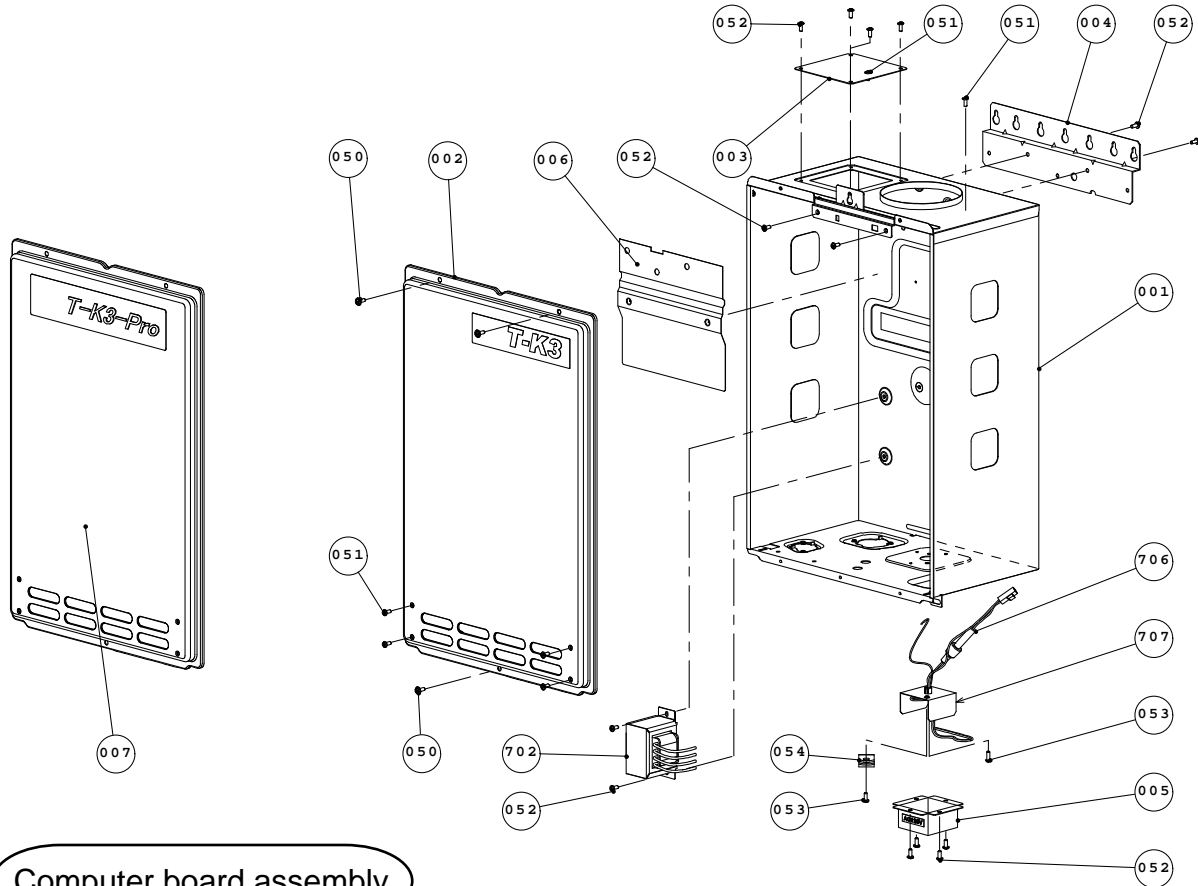


13. Components diagrams

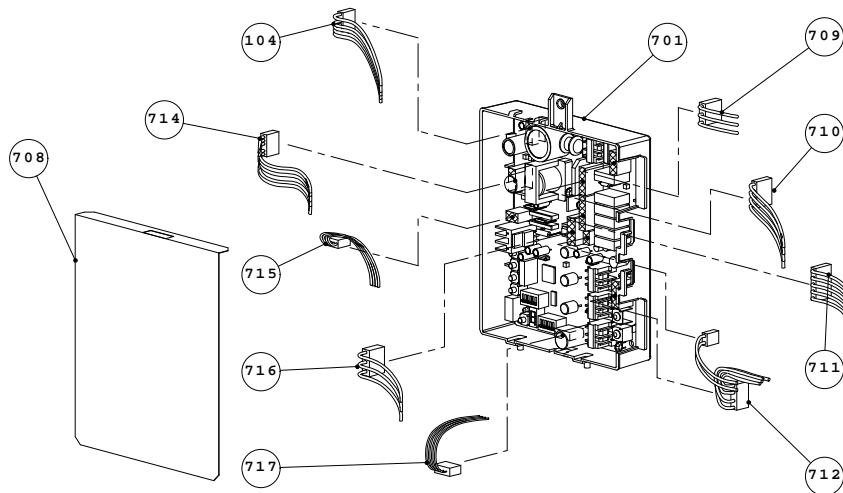
Case assembly

Other than the front cover (No.7), all of the T-K3-Pro's parts are the same as the T-K3.



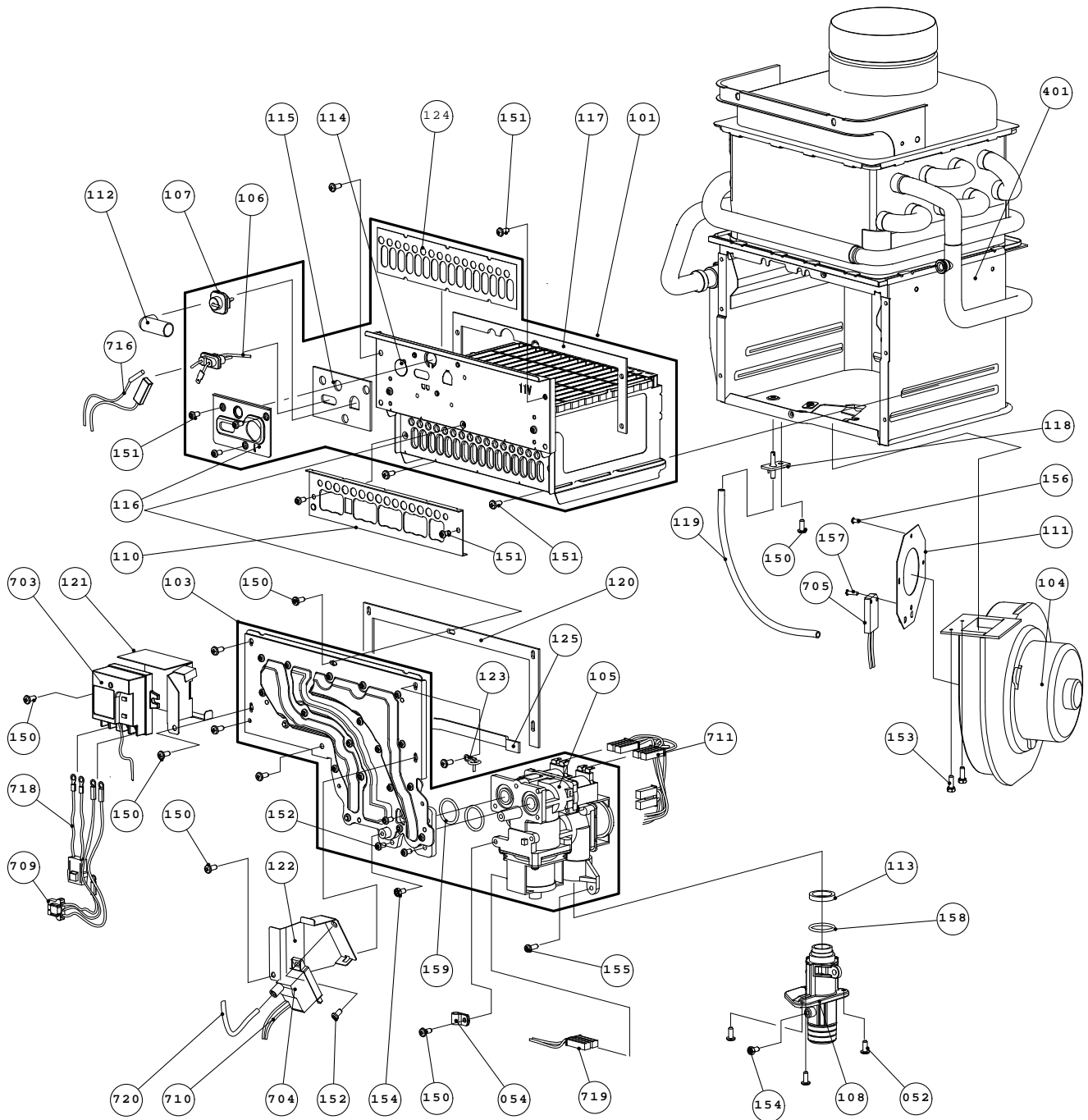
Computer board assembly

The T-K3 and the T-K3-Pro share the same components.



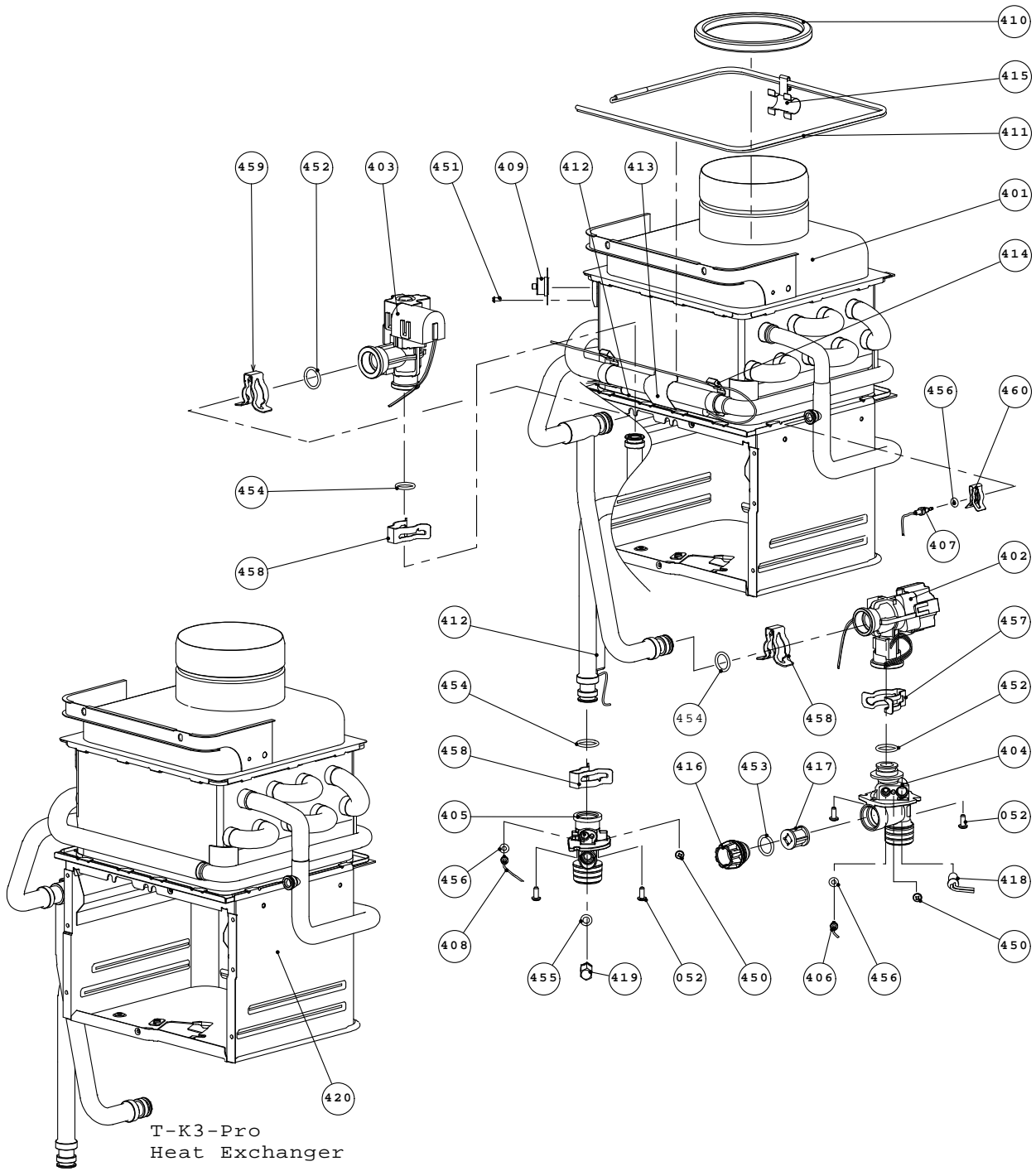
Burner assembly

The T-K3 and the T-K3-Pro share the same components.



Water way assembly

Other than the heat exchanger assembly (No.420), all of the T-K3-Pro's parts are the same as the T-K3.



14. Parts list

Other than the front cover (No.7) and heat exchanger assembly (No.420), all of the T-K3-Pro's components are the same as the T-K3.

Item #	Part #	Description	Common parts for other units
1	EKK1D	Case assembly	
2	EKK1J	Front cover for T-K3	
3	EKJ62	Air blockage plate	TKJr, TM199
4	EKJ09	Bracket	TKJr, OS, SP
5	EKJ64	Junction box	OS, SP, TKJr, TM50, TM32
6	EKK5H	Back guard panel	OS, SP
7	EK320	Front cover for T-K3-Pro	
50	EW000	Screw M4×12 (w/washer)	*
51	EW001	Screw M4×10 (w/washer)	*
52	EW002	Screw M4×10 (Coated)	*
53	EW003	Screw M4×10	*
54	EC00X	Nylon clamp	TM50, OS, SP, TM1, TM199, TM32
101	EKK1N	Burner assembly	SP
103	EKK1S	Manifold assembly with gas valve assembly LP	SP
	EKK1T	Manifold assembly with gas valve assembly NG	OS, SP
104	EKK25	Fan motor	SP, TM50, TM32
105	EKK1W	Gas valve assembly	OS, SP, TM50
106	EKK0E	Flame rod	OS, SP, TM50, TM32
107	EKK0F	Igniter rod	OS, SP, TM50, TM32
108	EKK1E	Gas inlet	OS, SP
110	EKK1P	Damper	SP, TM50
111	EK270	Fan damper	SP, TK2, TKD20
112	EKN61	Rod cap	OS, SP, TM50, TM32, TK1S, TKJr, T-H1
113	EKK2Z	Gas inlet ring	OS, SP
114	EKK2V	Burner window	OS, SP, TM50, TM32
115	EKK2W	Rod holder gasket	OS, SP, TM50, TM32
116	EKK32	Rod holder	OS, SP, TM50, TM32

Item #	Part #	Description	Common parts for other units
117	EKK0G	Burner holder gasket	OS,SP,TM50
118	EKK2D	Pressure port	SP,TM50,TM32
119	EKK2N	Urethane tube	SP
120	EKK2Y	Manifold gasket A	OS,SP,TM50
121	EKK20	GFI plate	
122	EKK1B	Igniter plate	OS,SP,TM50,TM32
123	EM167	Wire clamp 60	TK2,TKD20,TKJr,TK1S,OS,SP, TM1,TM199,TH1,TM50,TM32
124	EKK2X	Burner gasket	OS,SP,TM50
125	EKK2K	Manifold gasket B	OS,SP,TM50
150	EW003	Screw M4×10	*
151	EW002	Screw M4×10 (Coated)	*
152	EKK37	Screw M4×12	*
153	EW004	Hex head screw M4×12 (w/washer)	*
154	EW005	Hex head screw M4×8	*
155	EW006	Pan Screw M4×10	*
156	EW00B	Screw M3×6 SUS3	*
157	EW008	Screw M3×10	*
158	EK042	O-ring P20 NBR (Black)	TM50,TK2,TKD20,TK1S,TKJr,OS,SP
159	EZP18	O-ring P18 NBR (Black)	TM1,TM199,TH1,TK2,TKD20,TK1S,OS,SP
401	EKK1X	Heat exchanger assembly for T-K3	
402	EKK0T	Flow adjustment valve/ Flow sensor	
403	EKK0U	Bypass valve	
404	EKK1U	Water inlet	OS,SP
405	EKK1V	Water outlet	OS,SP
406	EKK38	Inlet thermistor	TM50,TM32
407	EKK2T	Output thermistor	TM50,TM32
408	EKK1A	Mixing thermistor	TM50
409	EKN34	Hi-Limit switch	TKJr,TK1S,OS,SP,TH1,TM50,TM32

Item #	Part #	Description	Common parts for other units
410	EKN50	Silicon ring	TK1S,SP,TH1,TM32
411	EK333	Overheat-cut-off-fuse	OS,SP,TM50
412	EKK2R	Heater	OS,SP
413	EKK27	Pipe heater fixing plate	OS,SP,TM50,TM32
414	EKK26	Fuse fixing plate 18	OS,SP,TM50,TM32
415	EK029	Fuse fixing plate 14	OS,SP,TK2,TKD20,TK1S,TKJr,TM1
416	EKK2B	Inlet drain plug	OS,SP
417	EKK2C	Inlet water filter	OS,SP
418	EKK2P	Inlet heater	OS,SP,TM32
419	EKK2E	Outlet drain plug	OS,SP,TM50
420	EK322	Heat exchanger assembly for T-K3-Pro	
450	EW009	Screw M4×6	*
451	EW00A	Screw M3×6	*
452	EZM16	O-ring P16 EPDM (Purple)	TK2,TKD20,TKJr,TK1S,OS,SP, TM1,TM199,TH1,TM50,TM32
453	EZM15	O-ring P15 EPDM (Purple)	TKJr,TK1S,OS,SP,TH1,TM50,TM32
454	EZM14	O-ring P14 EPDM	OS,SP
455	EZM06	O-ring P6 EPDM (Purple)	TK2,TKD20,TKJr,TK1S,OS,SP, TM1,TM199,TH1,TM50,TM32
456	EZM04	O-ring P4 EPDM (Purple)	TK2,TKD20,TKJr,TK1S,OS,SP, TM1,TM199,TH1,TM50,TM32
457	EM192	Fastener "16A"	TK2,TKD20,TKJr,TK1S,OS,SP,TM1,TM199,TH1
458	EKK24	Fastener "14-22"	OS,SP
459	EKK39	Fastener "16-25A"	
460	EKH30	Fastener "4-11"	TH1,TM50,TM32
701	EKK1L	Computer board	
702	EKH09	Transformer	TH1,OS,SP
703	EKN73	Ground fault circuit interrupter	TKJr,TK1S,TH1
704	EKN74	Igniter	TKJr,TK1S,OS,SP,TH1,TM50,TM32
705	EKJ59	Freeze protection thermostat	TKJr,TK1S,OS,SP,TK2,TM32

Item #	Part #	Description	Common parts for other units
706	EKN37	Fuse assembly	TK1S,TH1
707	EKJ66	Junction box inner plate	TKJr,OS,SP,TM50,TM32
708	EKK1M	Computer board cover	
709	EKK0D	AC100V wire	
710	EKK0Z	EH-IG Wire	
711	EKK10	Gas valve wire	
712	EKK36	Pump and multi cable	
714	EKK35	RS-VG wire	
715	EKK33	Water valves wire	
716	EKK11	Flame rod wire	
717	EKK1Z	Thermistors wire	
718	EKK0B	Transformer wire	
719	EKK12	Proportional gas valve wire	
720	EKK2M	High voltage igniter wire	OS,SP,TM50